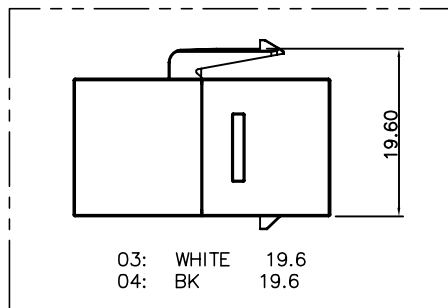
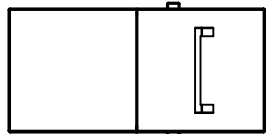
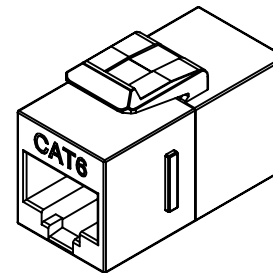
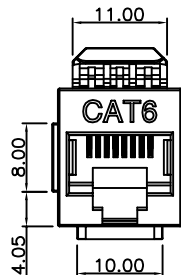
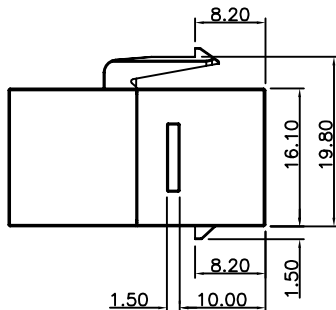
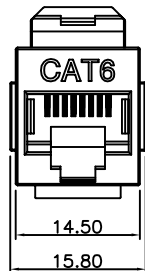
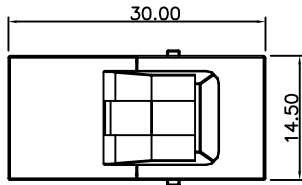


RoHS

THIS IS A RoHS COMPLIANT COMPONENT/PRODUCT.



NOTES:

ELECTRICAL:

- VOLTAGE RATING: 125 VAC RMS.
- CURRENT RATING: 1.5 AMP.
- CONTACT RESISTANCE: 100 MILLIOHMS MAX.
- INSULATION RESISTANCE: 1000 MEGOHMS MIN @ 500 VDC.
- DIELECTRIC STRENGTH: 750 VAC RMS 60Hz,1MIN.

ENVIRONMENTAL:

- STORAGE: -40°C TO +85°C.
- OPERATION: -40°C TO +85°C.

MECHANICAL:

- HOUSING MATERIAL: PLASTIC UL94V-0
- INSERT MATERIAL: PLASTIC UL94V-0
- PCB MATERIAL: FR-4
- PART NUMBER: N446X-030-0X

1-3u"	2-6u"	01: C6	WHITE	19.8
		02: C6	BK	19.8
3-15u"	4-30u"	03: C6	WHITE	19.6
		04: C6	BK	19.6
5-50u"				

ΔXO	000900	NEW DESIGN		Patrick	092122'
MARK	ECN-NO.	REVISION RECORD		DRAWN	DATE
CTK	UNLESS OTHERWISE SPECIFIED TOLERANCE		SCALE	CHECKED	
	Dimension Range	Tolerance	1:1	APPROVED	
	X.X	±0.20	UNIT	mm	
	X.XX	±0.15	SIZE	A3	
Contact Technology Co., Ltd.		ANGLE	±5°	SHEET	1/1
Material/Plated/Notes		NAME			
SEE NOTE		CAT.6 COUPLER W/ LATCH			
Tooling No.		PART NO.		REV.	
		SEE NOTE		0	
		DOC. NO.		NN446A030	