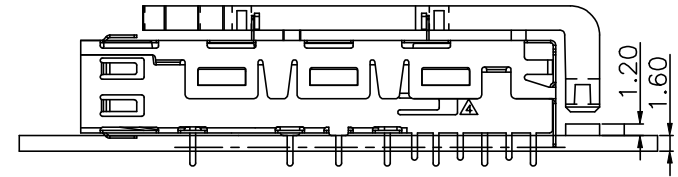
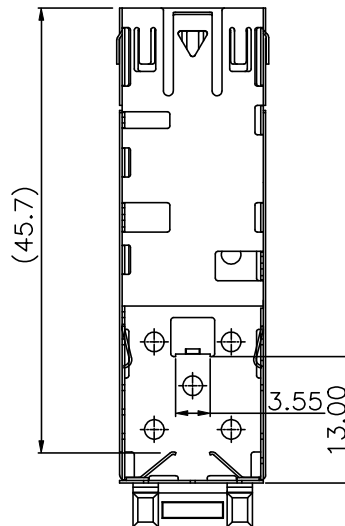
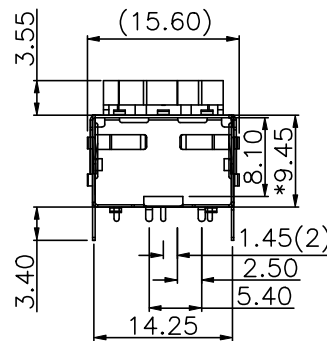
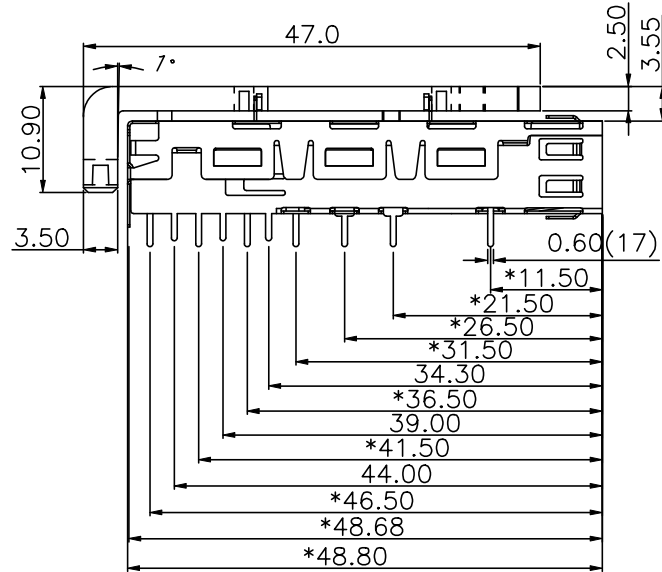
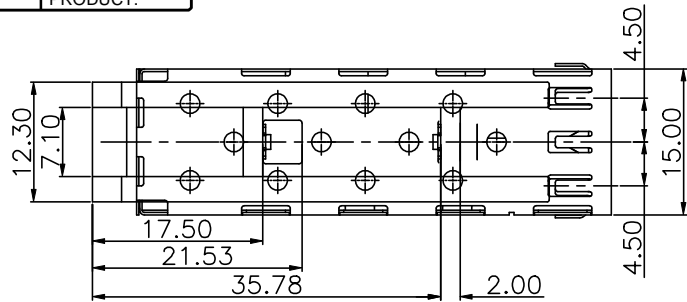
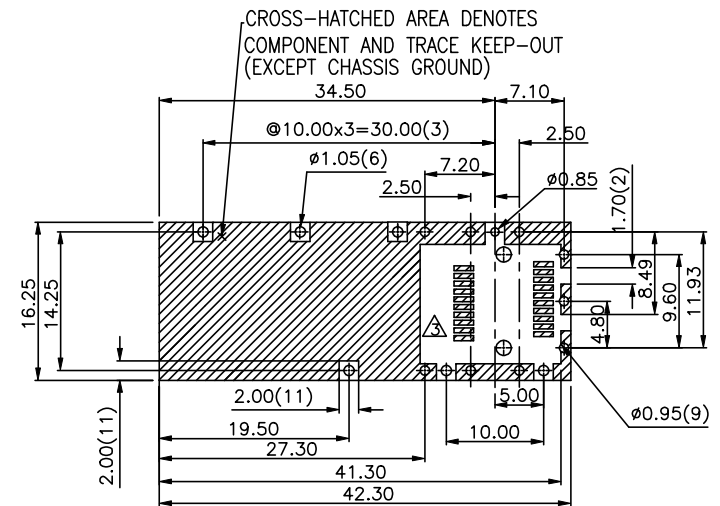


RoHS

THIS IS A RoHS
COMPLIANT
COMPONENT/
PRODUCT.



PC Board Layout Component Shown



THIS AREA DENOTES COMPONENT
KEEP-OUT (TRACES ALLOWED)
PCB LAYOUT (TOP VIEW)

NOTE:
MECHANICAL:

- 1.SFP CAGE MATERIAL: C5191 H & C7521 H.
NICKEL PLATING 30u"~80u"
 - 2.LIGHT PIPE MATERIAL: PC
- PART NUMBER : N331X-075-XX
- | | |
|----------------------|------------|
| O-NO PLATING | 01-C7521 H |
| N-NI | 02-C5191 H |
| T-W/PLATED TIN W/TAB | |
| U-W/O PLATED TIN | |

△XO	0006000	NEW DESIGN	DORIS	012413
MARK	ECN-NO.	REVISION RECORD	DRAWN	DATE
		UNLESS OTHERWISE SPECIFIED TOLERANCE	SCALE	CHECKED
		Dimension Range Tolerance	1/1	APPROVED
Contact Technology Co., Ltd.		X.X	±0.20	UNIT
Material/Plated/Notes		X.XX	±0.15	mm
SEE NOTE		X.XXX	±0.10	SIZE
		ANGLE	±5°	A3
NAME		1X1 SFP LIGHT PIPE CONNECTOR		
Tooling No.	PART NO.	SEE NOTE	REV.	
	DOC. NO.	NN330A075	0	