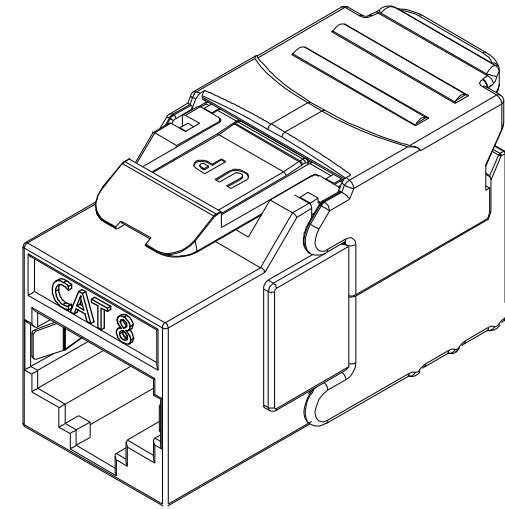
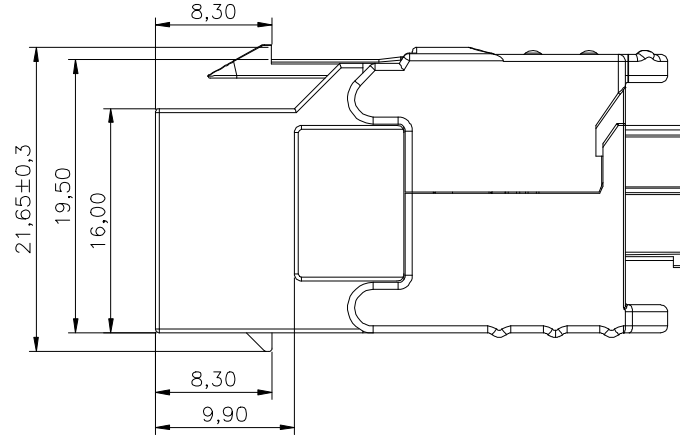
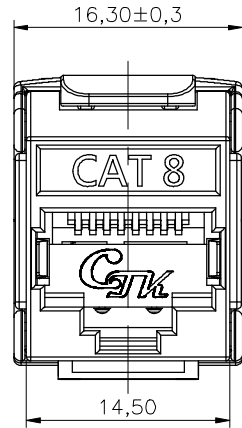




THIS IS A RoHS
COMPLIANT
COMPONENT/
PRODUCT.



NOTES:

ELECTRICAL:

1. VOLTAGE RATING: 125 VAC RMS.
2. CURRENT RATING: 1.5 AMP.
3. CONTACT RESISTANCE: 100 MILLIOHMS MAX.
4. INSULATION RESISTANCE: 1000 MEGOHMS MIN @ 500 VDC
5. DIELECTRIC STRENGTH: 750 VAC RMS 60Hz,1MIN.
6. PERFORMANCE: ANSI/TIA 568.2-D Category 8 - 2 Connector Permanent Link (24M)
ISO/IEC 11801-1 Class 1 - 2 Connector Permanent Link (24M),up to 2GHz.

ENVIRONMENTAL:

1. STORAGE: -40°C TO +85°C.
2. OPERATION: -40°C TO +85°C.

MECHANICAL:

- 1.HOUSING MATERIAL:UL94V-0
- 2.INSERT MATERIAL:UL94V-0
- 3.PCB MATERIAL:FR-4
- 4.CONTACT MATERIAL:PHOSPHOR BRONZE
- 5.IDC CONTACT MATERIAL:PHOSPHOR BRONZE
- 6.WIRE:#22~24AWG
- 7.PART NUMBER: N4485-001-0X
01-W/ CTK & CAT8 Logo.
02-W/O CTK & W/ CAT8 Logo.

△ X0	000000	NEW DESIGN	Wing	091118
MARK	ECN-NO.	REVISION RECORD	DRAWN	DATE
	UNLESS OTHERWISE SPECIFIED TOLERANCE		SCALE	CHECKED
	Dimension Range	Tolerance	2/1	APPROVED
	X.X	±0.20	UNIT	
	X.XX	±0.15	mm	
Material/Plated/Notes		ANGLE	SIZE	A3
NAME		±5°		SHEET 1/1
SEE NOTE		C8 Slim Type Keystone Jack		
Tooling No.		PART NO.	SEE NOTE	REV. 0
		DOC. NO.	NN448A001	