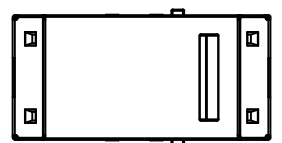
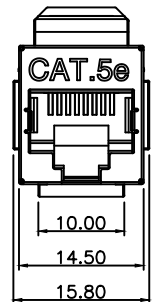
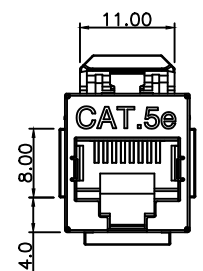
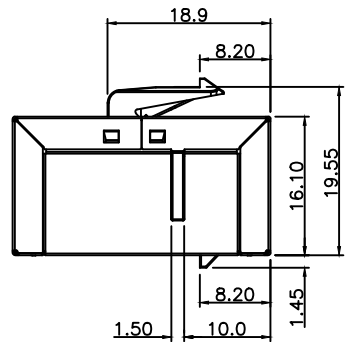
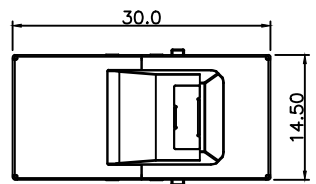
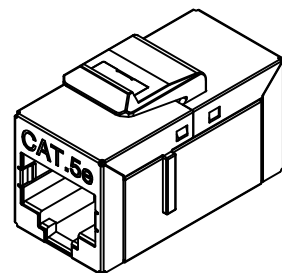


RoHS

THIS IS A RoHS COMPLIANT COMPONENT/PRODUCT.



**NOTES:**

ELECTRICAL:

1. VOLTAGE RATING: 125 VAC RMS.
2. CURRENT RATING: 1.5 AMP.
3. CONTACT RESISTANCE: 100 MILLIOHMS MAX.
4. INSULATION RESISTANCE: 1000 MEGOHMS MIN @ 500 VDC.
5. DIELECTRIC STRENGTH: 750 VAC RMS 60Hz,1MIN.

ENVIRONMENTAL:

1. STORAGE: -40°C TO +85°C.
2. OPERATION: -40°C TO +85°C.

MECHANICAL:

1. HOUSING MATERIAL: PLASTIC UL94V-0
2. INSERT MATERIAL: PLASTIC UL94V-0
3. PCB MATERIAL: FR-4
4. SHIELD MATERIAL: SUS-301 0.20mm

PART NUMBER: N446X-033-0X

- |        |        |           |
|--------|--------|-----------|
| 1-3u"  | 2-6u"  | 01: WHITE |
| 3-15u" | 4-30u" | 02: BK    |
| 5-50u" |        |           |

△X0	0069000	NEW DESIGN	Patrick	092222'
MARK	ECN-NO.	REVISION RECORD	DRAWN	DATE
<b>CTK</b>	UNLESS OTHERWISE SPECIFIED TOLERANCE		SCALE	CHECKED
	Dimension Range	Tolerance	1:1	APPROVED
	X.X	±0.20	UNIT	mm
	X.XX	±0.15	SIZE	A3
Contact Technology Co., Ltd.		ANGLE	±5°	SHEET 1/1
Material/Plated/Notes		NAME		
SEE NOTE		CAT.5e FTP COUPLER W/ LATCH		
Tooling No.	PART NO.		REV.	
	SEE NOTE		0	
		DOC. NO.		N446A033