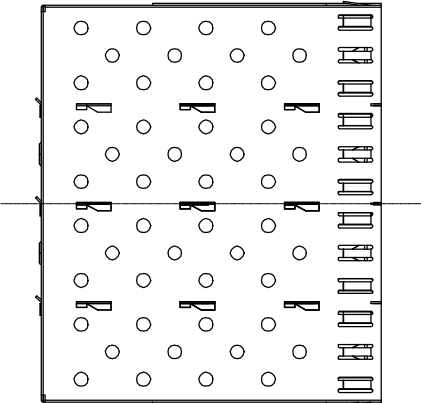
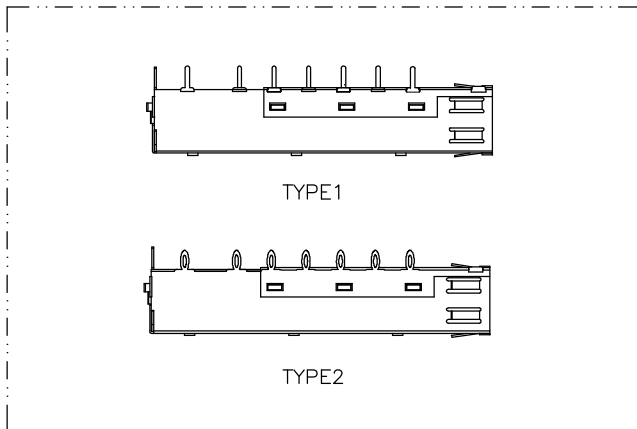
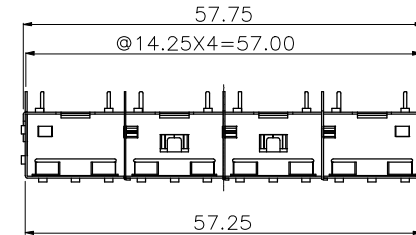
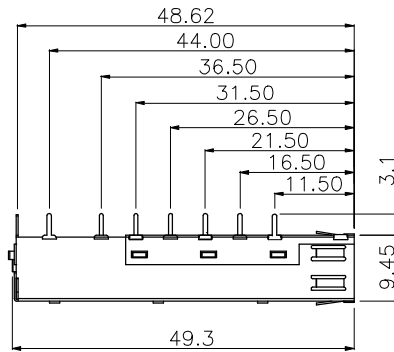
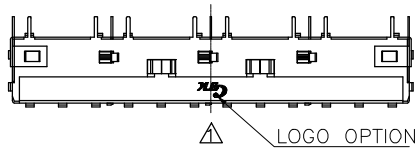
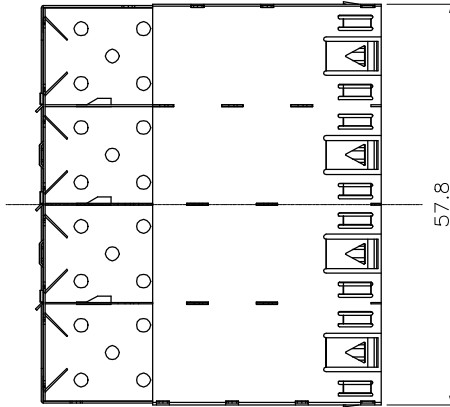


RoHS

THIS IS A RoHS
COMPLIANT
COMPONENT/
PRODUCT.

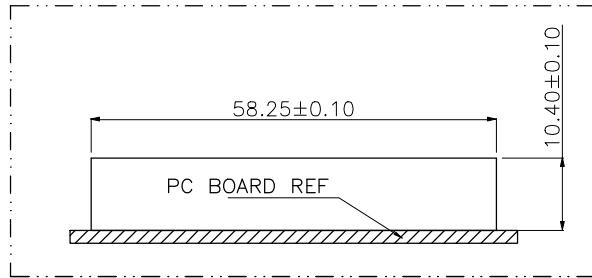
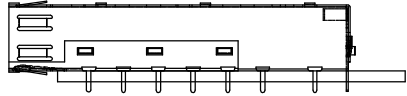


△ X1		ADD NEW P/N.	DORIS	021916
△ X3		UPDATE DRAWING	DORIS	120215
△ X2		UPDATE DRAWING	DORIS	033012
△ X0	000000	NEW DESIGN	DORIS	061111

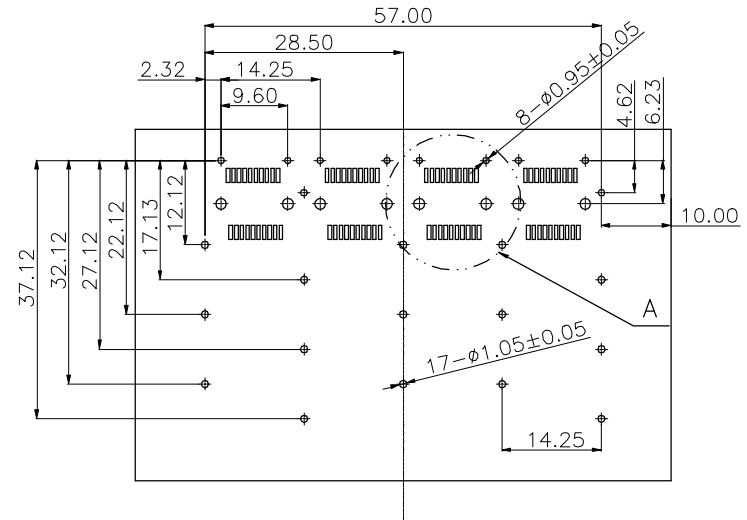
MARK	ECN-NO.	REVISION RECORD	DRAWN	DATE
		UNLESS OTHERWISE SPECIFIED TOLERANCE	SCALE	CHECKED
		Dimension Range Tolerance	1/1	APPROVED
		X.X ±0.20	UNIT	
		X.XX ±0.15	mm	
		X.XXX ±0.10	SIZE	
		ANGLE ±5°	A3	SHEET 1/2
Material/Plated/Notes		NAME		
SEE NOTE		SFP 1X4 CAGE		
Tooling No.		PART NO.	SEE NOTE	REV. 3
		DOC. NO.	NN330A066	

RoHS

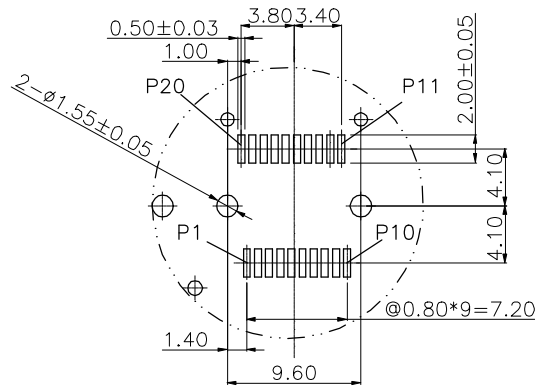
THIS IS A RoHS COMPLIANT COMPONENT/PRODUCT.



RECOMMENDED PANEL CUT OUT



PCB LAYOUT (TOP VIEW)



DETAIL "A"
SCALE 2:1

NOTES:

MECHANICAL:

- 1.SFP CAGE MATERIAL: 01-COVER OF CAGE: COPPER ALLOY
- 02-MIDDLE OF CAGE: COPPER ALLOY
- 03-BOTTOM OF CAGE: COPPER ALLOY
- 04-LEAF SPRING: COPPER ALLOY
- NICKEL PLATING 30u"~80u"

PART NUMBER: N334N-066-XX

- N-NI W/O PRE TINNED SOLDERING PEGS
- T-NI W/ PRE TINNED SOLDERING PEGS

- 01-TYPE1 W/O LOGO (C5191)
- 02-TYPE1 W/CTK LOGO (C5191)
- 03-TYPE2 W/O LOGO (C5191)
- 04-TYPE2 W/CTK LOGO (C5191)
- ∆ 05-TYPE1 W/CTK LOGO (C7521)
- ∆ 06-TYPE2 W/CTK LOGO (C7521)
- ∆ 07-TYPE1 W/O LOGO (C7521)
- ∆ 08-TYPE2 W/O LOGO (C7521)

∆ X1		ADD NEW P/N.	DORIS	021916
∆ X3		UPDATE DRAWING	DORIS	120215
∆ X2		UPDATE DRAWING	DORIS	033012
∆ X0	000000	NEW DESIGN	DORIS	061111
MARK	ECN-NO.	REVISION RECORD	DRAWN	DATE

CTK	UNLESS OTHERWISE SPECIFIED TOLERANCE		SCALE	CHECKED
	Dimension Range	Tolerance	1/1	
X.X	±0.20	UNIT	APPROVED	
X.XX	±0.15	mm		
X.XXX	±0.10	SIZE	A3	SHEET 2/2
ANGLE	±5°			
Material/Plated/Notes		NAME		
SEE NOTE		SFP 1X4 CAGE		
Tooling No.	PART NO.	SEE NOTE	REV.	
	DOC. NO.	NN330A066		3