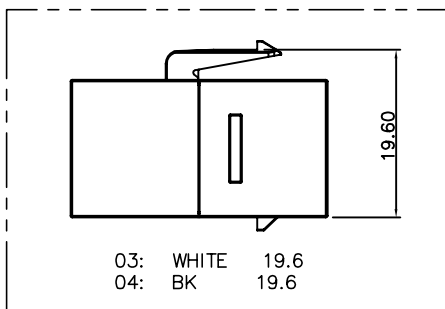
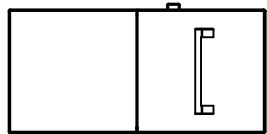
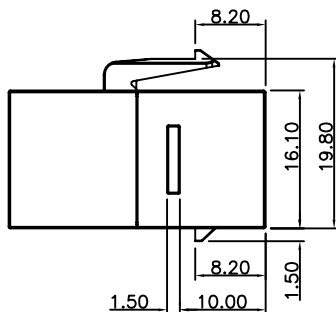
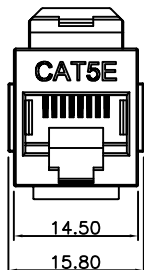
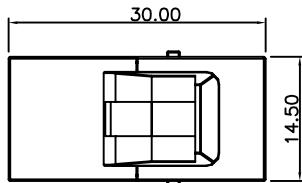
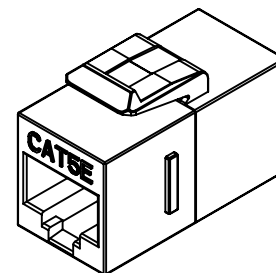
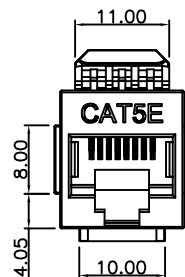


RoHS

THIS IS A RoHS COMPLIANT COMPONENT/PRODUCT.



03: WHITE 19.6
04: BK 19.6



NOTES:

ELECTRICAL:

1. VOLTAGE RATING: 125 VAC RMS.
2. CURRENT RATING: 1.5 AMP.
3. CONTACT RESISTANCE: 100 MILLIOHMS MAX.
4. INSULATION RESISTANCE: 1000 MEGOHMS MIN @ 500 VDC.
5. DIELECTRIC STRENGTH: 750 VAC RMS 60Hz,1MIN.

ENVIRONMENTAL:

1. STORAGE: -40°C TO +85°C.
2. OPERATION: -40°C TO +85°C.

MECHANICAL:

- 1.HOUSING MATERIAL:PLASTIC UL94V-0
- 2.INSERT MATERIAL:PLASTIC UL94V-0
- 3.PCB MATERIAL:FR-4
- 4.PART NUMBER: N446X-032-0X

1-3u"	2-6u"	01: C5E WHITE 19.8
		02: C5E BK 19.8
3-15u"	4-30u"	03: C5E WHITE 19.6
		04: C5E BK 19.6
5-50u"		

ΔX0	0069000	NEW DESIGN		Patrick	092122'
MARK	ECN-NO.	REVISION RECORD		DRAWN	DATE
CTK	UNLESS OTHERWISE SPECIFIED TOLERANCE		SCALE	CHECKED	
	Dimension Range	Tolerance	1:1		
	X.X	±0.20	UNIT	APPROVED	
	X.XX	±0.15	mm		
X.XXX	±0.10	SIZE	A3	SHEET 1/1	
Contact Technology Co., Ltd.		ANGLE	±5°		
Material/Plated/Notes		NAME			
SEE NOTE		CAT.5E COUPLER W/ LATCH			
Tooling No.	PART NO.	SEE NOTE		REV. 0	
	DOC. NO.	NN446A032			