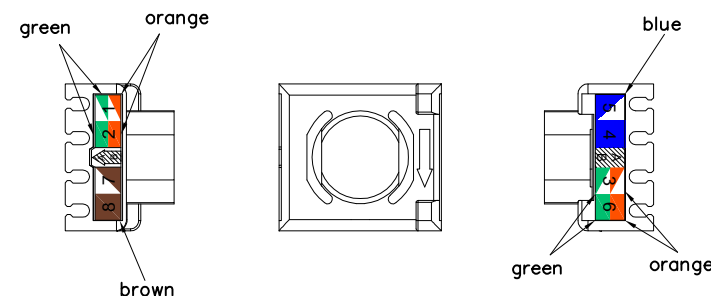
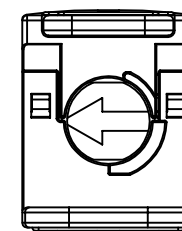
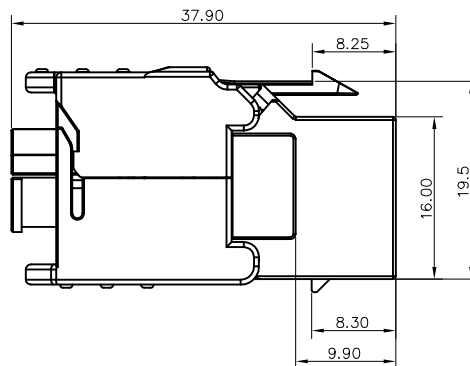
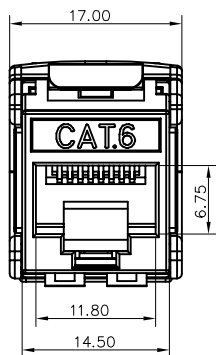
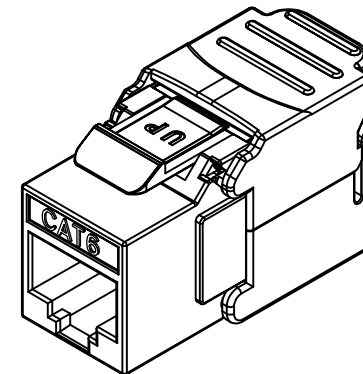
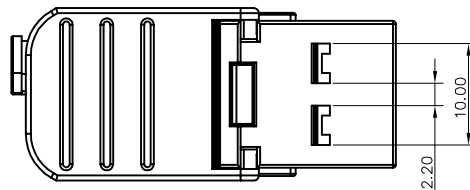


RoHS

THIS IS A RoHS COMPLIANT COMPONENT/PRODUCT.



NOTES:

ELECTRICAL:

- VOLTAGE RATING 125 VAC RMS.
- CURRENT RATING 1.5 AMP.
- CONTACT RESISTANCE 20 MILLIOHMS MAX.
- INSULATION RESISTANCE 1000 MEGOHMS MIN @ 500 VDC.
- DIELECTRIC STRENGTH: 750 VAC RMS 60Hz,1MIN.
- C6A CONNECTING HARDWARE: CONFORM TO ANSI/TIA-568.2-D

ENVIRONMENTAL:

- STORAGE: -40°C TO +85°C.
 - OPERATION: -40°C TO +85°C.
- MATES WITH MODULAR PLUG CONFORMING TO TIA-1096-A.

MECHANICAL:

- HOUSING MATERIAL: PC UL94V-0
- INSERT&COVER MATERIAL: PC UL94V-0
- PCB MATERIAL: FR-4
- CONTACT MATERIAL: PHOSPHOR BRONZE
- IDC CONTACT MATERIAL: PHOSPHOR BRONZE WITH NICKEL PLATING
- WIRE : #23~26AWG
- PART NUMBER: N443X-155-0X

1.3U" 4.30U"
2.6U" 5.50U"
3.15U" 7.1U"

1-W/C6 Logo

△ X0	0009000	NEW DESIGN	LONNY	050922'
MARK	ECN-NO.	REVISION RECORD	DRAWN	DATE
CTK	UNLESS OTHERWISE SPECIFIED TOLERANCE		SCALE	CHECKED
	Dimension Range	Tolerance	1/1	APPROVED
	X.X	±0.20	UNIT	mm
	X.XX	±0.15	SIZE	A3
X.XXX	±0.10	ANGLE	±5°	SHEET 1/1
Contact Technology Co., Ltd.	NAME			
Material/Plated/Notes	C6 Slim Type Keystone UTP			
SEE NOTE	PART NO.	SEE NOTE	REV. A	
Tooling No.	DOC. NO.	NN443A155		