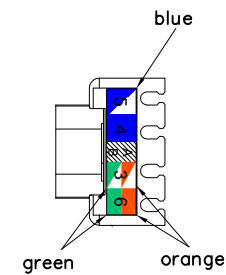
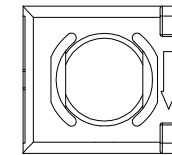
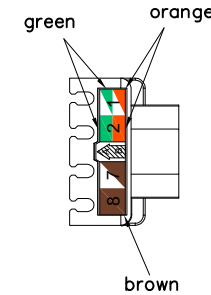
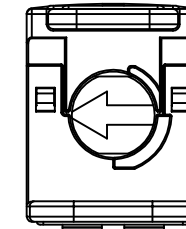
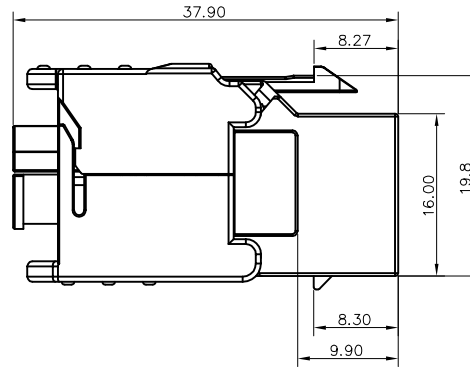
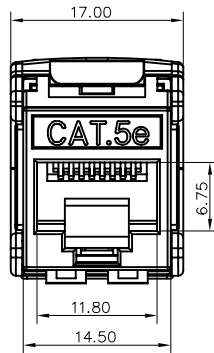
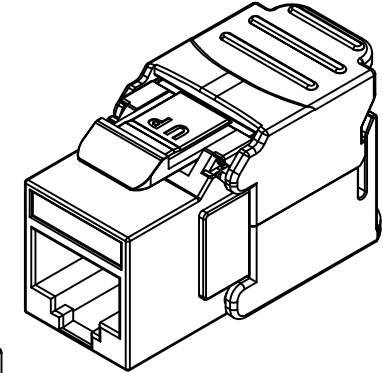
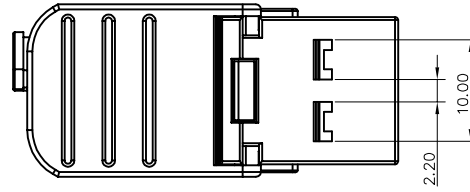


RoHS

THIS IS A RoHS  
COMPLIANT  
COMPONENT/  
PRODUCT.



NOTES:

ELECTRICAL:

1. VOLTAGE RATING 125 VAC RMS.
2. CURRENT RATING: 1.5 AMP.
3. CONTACT RESISTANCE 20 MILLIOHMS MAX.
4. INSULATION RESISTANCE 1000 MEGOHMS MIN @ 500 VDC.
5. DIELECTRIC STRENGTH: 750 VAC RMS 60Hz,1MIN.


ENVIRONMENTAL:

1. STORAGE: -40°C TO +85°C.
  2. OPERATION: -40°C TO +85°C.
- MATES WITH MODULAR PLUG CONFORMING TO TIA-1096-A.

MECHANICAL:

1. HOUSING MATERIAL: PC UL94V-0
2. INSERT & COVER MATERIAL: PC UL94V-0
3. PCB MATERIAL: FR-4
4. CONTACT MATERIAL: PHOSPHOR BRONZE
5. IDC CONTACT MATERIAL: PHOSPHOR BRONZE WITH NICKEL PLATING
6. WIRE : #23~26AWG
7. PART NUMBER: N442X-155-0X

5-50U" ——— 1-W/C5e Logo

△ X0	0060000	NEW DESIGN	LONNY	050922'	
MARK	ECN-NO.	REVISION RECORD	DRAWN	DATE	
 Contact Technology Co., Ltd.		UNLESS OTHERWISE SPECIFIED TOLERANCE	SCALE	CHECKED	
		Dimension Range	Tolerance	1/1	
		X.X	±0.20	UNIT	APPROVED
		X.XX	±0.15	mm	
X.XXX	±0.10	SIZE	A3	⊕ SHEET 1/1	
ANGLE	±5°				
Material/Plated/Notes		NAME			
SEE NOTE		C5e Slim Type Keystone UTP			
Tooling No.		PART NO.	SEE NOTE	REV.	
		DOC. NO.	NN442A155	A	