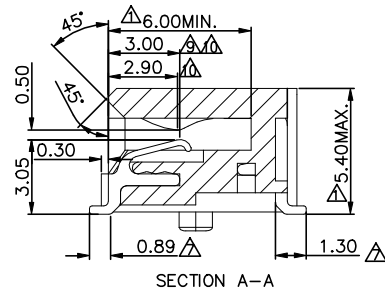
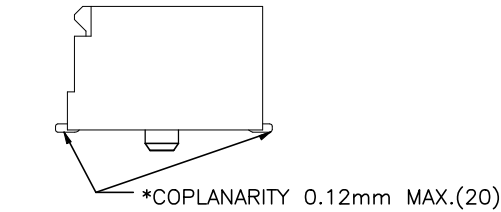
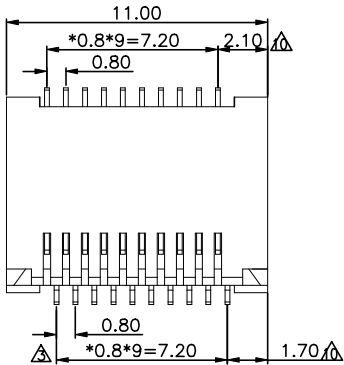
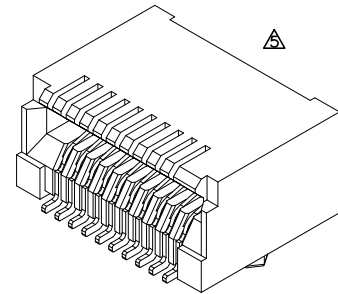




THIS IS A RoHS COMPLIANT COMPONENT/PRODUCT.



NOTE:

ELECTRICAL:

- 1.VOLTAGE RATING: 30 VAC
- 2.CURRENT RATING: 0.5 AMP MAX.
- 3.DIFFERENTIAL IMPEDANCE: 100 OHMS.
- 4.CONTACT RESISTANCE: 20 MILLIOHMS MAX.
- 5.INSULATION RESISTANCE: 500 MEGAOHMS MIN. 500 VDC

MECHANICAL:

CONNECTOR MATERIAL:

1. HOUSING: LCP UL94V-0. STANDARD COLOR BLACK.
- 2.CONTACT: PHOS-BRONZE C5210 EH t=0.20mm.
- 3.OPERATING LIFE: 250 CYCLES MIN.

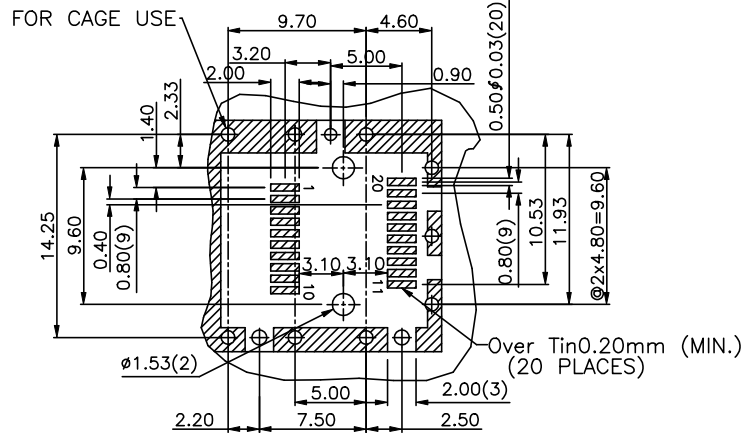
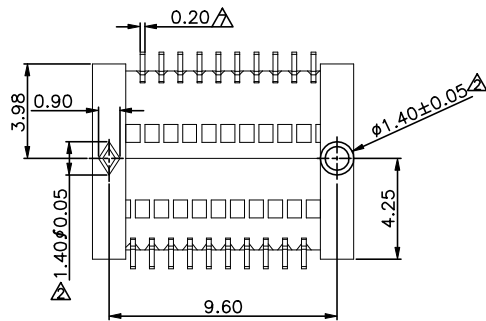
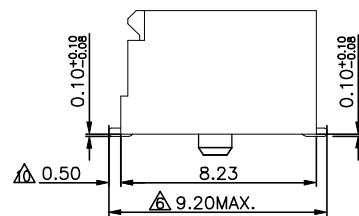
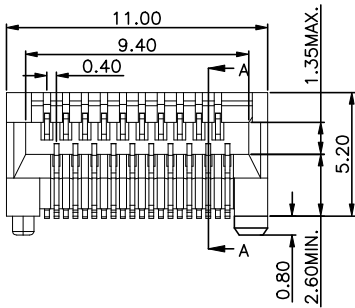
ENVIRONMENTAL:

- 1.OPERATING: -40°C To +85°C
- 2.STORAGE: -40°C To +85°C
3. IR TEMPERATURE : 255°C±5°C (5~10 SECONDS)

PART NUMBER : N331X-035-0X

- 1- 3u" 2- 6u"
- 3- 15u" 4- 30u"
- 5- 50u"

- 1-W/O LOGO
- 2-W/T LOGO
- △ 3-W/CTK LOGO
- △ 4-W/O LOGO(USED BY TAPE REEL)
- △ 5-W/O LOGO(CUSTOMIZED SPEC)



△ PCB LAYOUT (CONNECTOR) / TOP VIEW

△x 5		ADD NEW DIM.	DORIS	091113'
△x 1		ADD NEW DIM.	DORIS	042513'
△x 1		ADD NEW P/N	DORIS	121411'
△x 4		UPDATE DRAWING	DORIS	072711'
△x 1		UPDATE DRAWING	YANG	011210
△x 1		UPDATE DRAWING	YANG	121709
△x 2		0.40 WAS 0.80	YANG	102109
△x 3		UPDATE DRAWING	YANG	103008
△x 2		MODIFY DESIGN	YANG	102308
△x 5		MODIFY DESIGN	YANG	072208
△ X0	0069000	NEW DESIGN	YANG	071808
MARK	ECN-NO.	REVISION RECORD	DRAWN	DATE

	UNLESS OTHERWISE SPECIFIED TOLERANCE		SCALE	CHECKED
	Dimension Range	Tolerance	1/1	
	X.X	±0.20	UNIT	APPROVED
X.XX	±0.15	mm		
X.XXX	±0.10	SIZE	A3	SHEET 1/1
ANGLE		±5°		
Material/Plated/Notes		NAME		
SEE NOTE		1X1 SFP CONNECTOR 20PIN		
Tooling No.	PART NO.	SEE NOTE	REV.	
	DOC. NO.	NN330A035	10	