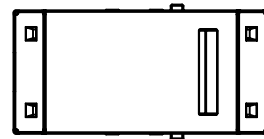
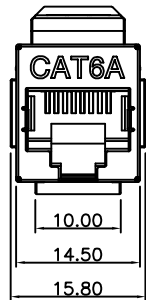
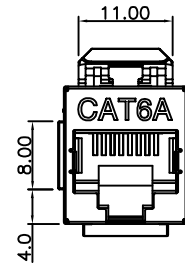
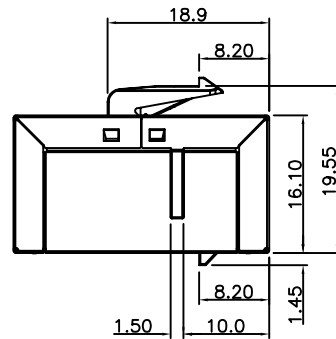
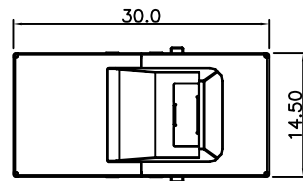
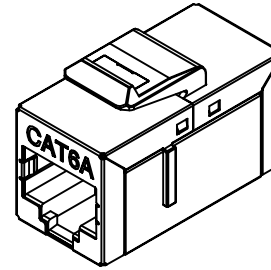


RoHS

THIS IS A RoHS  
COMPLIANT  
COMPONENT/  
PRODUCT.



**NOTES:**

**ELECTRICAL:**

1. VOLTAGE RATING: 125 VAC RMS.
2. CURRENT RATING: 1.5 AMP.
3. CONTACT RESISTANCE: 100 MILLIOHMS MAX.
4. INSULATION RESISTANCE: 1000 MEGOHMS MIN @ 500 VDC.
5. DIELECTRIC STRENGTH: 750 VAC RMS 60Hz, 1MIN.

**ENVIRONMENTAL:**

1. STORAGE: -40°C TO +85°C.
2. OPERATION: -40°C TO +85°C.

**MECHANICAL:**

1. HOUSING MATERIAL: PLASTIC UL94V-0
2. INSERT MATERIAL: PLASTIC UL94V-0
3. PCB MATERIAL: FR-4
4. SHIELD MATERIAL: SUS-301 0.20mm

PART NUMBER: N446X-035-OX

- 01: WHITE
  - 02: BK
- 1-3u" 2-6u"  
3-15u" 4-30u"  
5-50u"

ΔXO	0069000	NEW DESIGN		Patrick	092222'
MARK	ECN-NO.	REVISION RECORD		DRAWN	DATE
	UNLESS OTHERWISE SPECIFIED TOLERANCE		SCALE	CHECKED	
	Dimension Range	Tolerance	1:1	APPROVED	
	X.X	±0.20	UNIT	mm	
	X.XX	±0.15	SIZE	A3	SHEET 1/1
Contact Technology Co., Ltd.		ANGLE	±5°		
Material/Plated/Notes		NAME			
SEE NOTE		CAT.6A FTP COUPLER W/ LATCH			
Tooling No.		PART NO. SEE NOTE		REV. 0	
		DOC. NO. NN446A035			