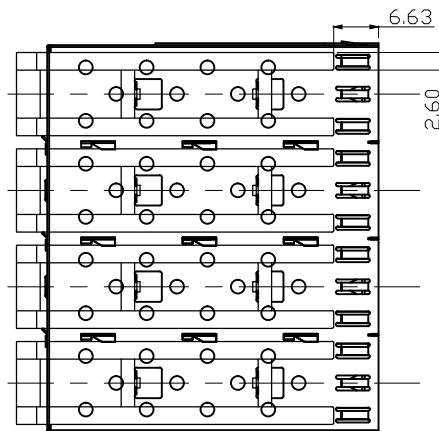
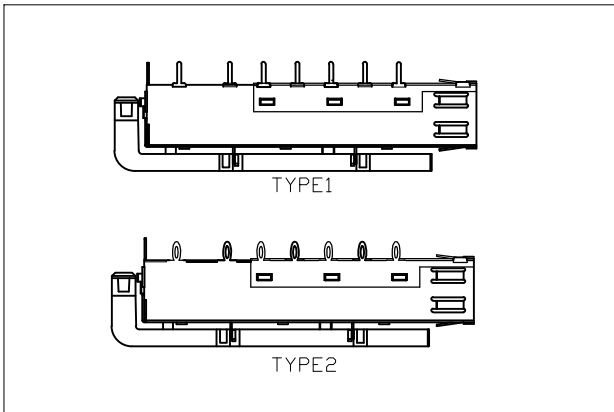
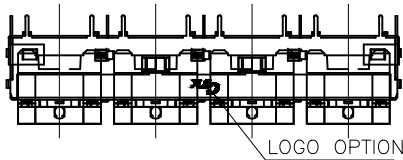
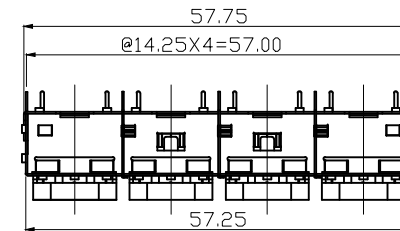
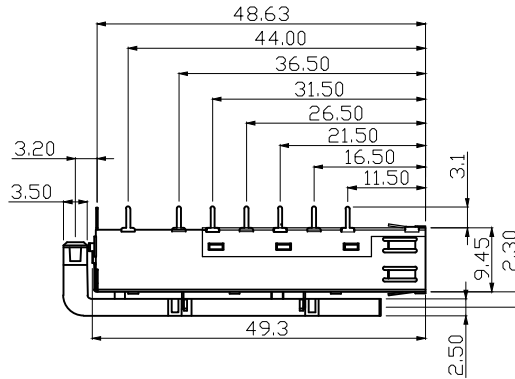
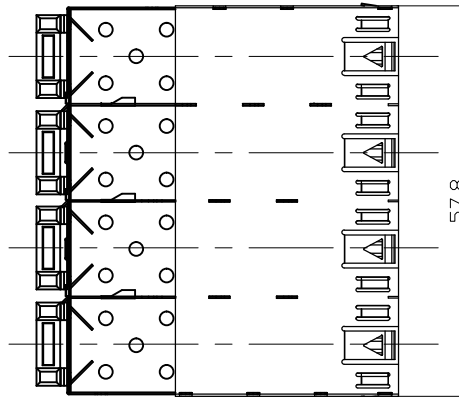


RoHS

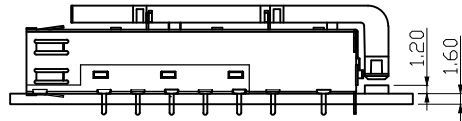
THIS IS A RoHS  
COMPLIANT  
COMPONENT/  
PRODUCT.



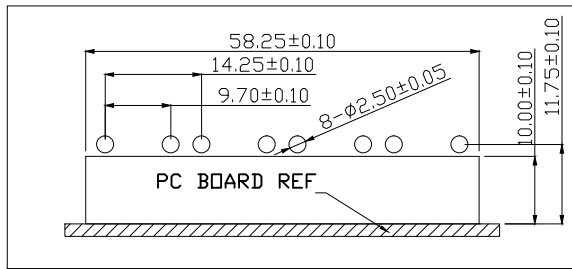
△ X0	000000	NEW DESIGN	DORIS	111512'
MARK	ECN-NO.	REVISION RECORD	DRAWN	DATE
 Contact Technology Co., Ltd. Material/Plated/Notes	UNLESS OTHERWISE SPECIFIED TOLERANCE		SCALE	CHECKED
	Dimension Range Tolerance		1/1	APPROVED
	X.X	±0.20	UNIT	mm
	X.XX	±0.15	SIZE	A3
	X.XXX	±0.10	ANGLE	±5°
SEE NOTE		NAME SFP 1X4 CAGE+Light pipe		
Tooling No.		PART NO.	SEE NOTE	REV. 0
		DOC. NO. NN330A074		

RoHS

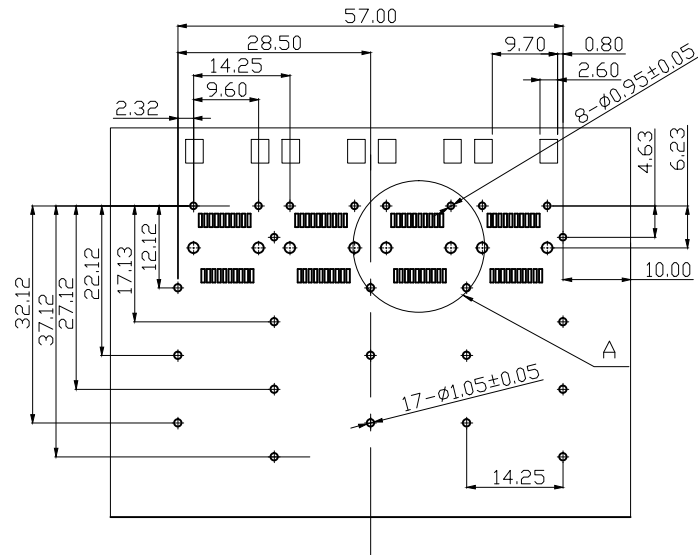
THIS IS A RoHS COMPLIANT COMPONENT/PRODUCT.



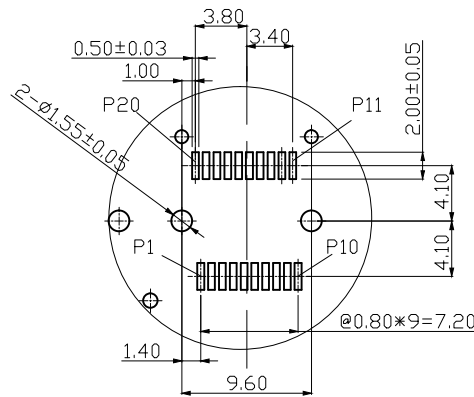
PC Board Layout Component Shown



RECOMMENDED PANEL CUT OUT



PCB LAYOUT (TOP VIEW)



DETAIL "A"  
SCALE 2:1

NOTE:  
MECHANICAL:

- 1-SFP CAGE MATERIAL
- 01-COVER OF CAGE: COPPER ALLOY
- 02-MIDDLE OF CAGE: COPPER ALLOY
- 03-BOTTOM OF CAGE: COPPER ALLOY
- 04-LEAF SPRING: COPPER ALLOY
- NICKEL PLATING 30u"~80u"

PART NUMBER: N334X-074-0X

N-NI

- 01-W/O LOGO W/O PEG TYPE1
- 02-W/CTK LOGO W/O PEG TYPE1
- 03-W/O LOGO W/O PEG TYPE2
- 04-W/CTK LOGO W/O PEG TYPE2
- 05-W/O LOGO W/O PEG TYPE2 (C7521)
- 06-W/CTK LOGO W/O PEG TYPE2 (C7521)

△ X0	000000	NEW DESIGN	DDRIS	111512'
MARK	ECN-NO.	REVISION RECORD	DRAWN	DATE
	UNLESS OTHERWISE SPECIFIED TOLERANCE		SCALE	CHECKED
	Dimension Range Tolerance		1/1	
	X.X	±0.20	UNIT	APPROVED
	X.XX	±0.15	mm	
Contact Technology Co., Ltd.		X.XXX	±0.10	SIZE
Material/Plated/Notes		ANGLE	±5°	A3
SEE NOTE		SFP 1X4 CAGE+Light pipe		
Tooling No.		PART NO.	SEE NOTE	REV.
		DOC. NO.	NN330A074	0