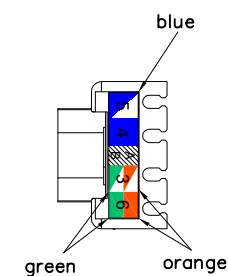
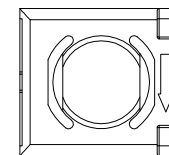
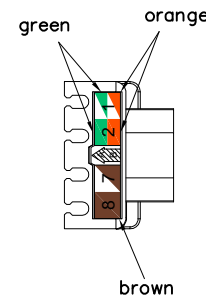
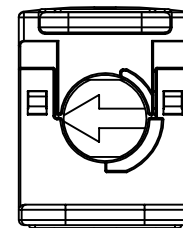
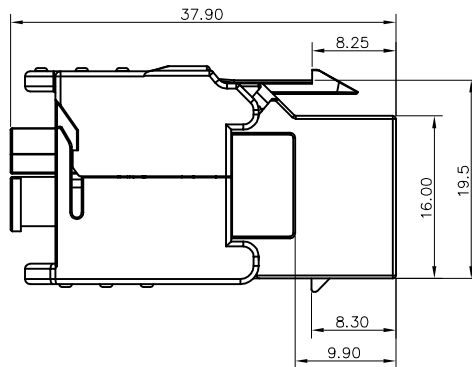
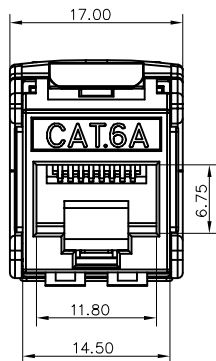
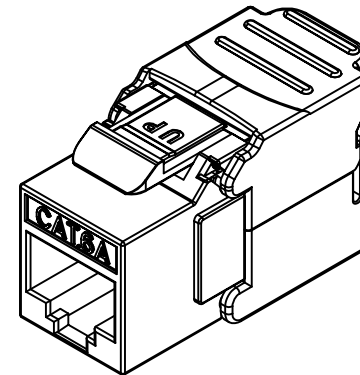
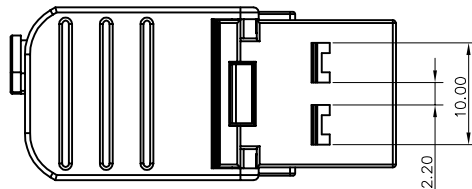


RoHS

THIS IS A RoHS
COMPLIANT
COMPONENT/
PRODUCT.



NOTES:

ELECTRICAL:

1. VOLTAGE RATING 125 VAC RMS.
2. CURRENT RATING: 1.5 AMP.
3. CONTACT RESISTANCE 20 MILLIOHMS MAX.
4. INSULATION RESISTANCE 1000 MEGOHMS MIN @ 500 VDC.
5. DIELECTRIC STRENGTH: 750 VAC RMS 60Hz,1MIN.
6. CONNECTING HARDWARE:
CONFORM TO ANSI/TIA-568.2-D

ENVIRONMENTAL:

1. STORAGE: -40°C TO +85°C.
 2. OPERATION: -40°C TO +85°C.
- MATES WITH MODULAR PLUG CONFORMING TO TIA-1096-A.

MECHANICAL:

- 1.HOUSING MATERIAL:PC UL94V-0
- 2.INSERT&COVER MATERIAL:PC UL94V-0
- 3.PCB MATERIAL:FR-4
- 4.CONTACT MATERIAL:PHOSPHOR BRONZE
- 5.IDC CONTACT MATERIAL:PHOSPHOR BRONZE WITH NICKEL PLATING
- 6.WIRE :#23~26AWG
- 7.PART NUMBER: N445X-155-0X

1.3U" 4.30U"
2.6U" 5.50U"
3.15U" 7.1U"

1-W/C6A Logo

△ XO	000000	NEW DESIGN	LONNY	050922'
MARK	ECN-NO.	REVISION RECORD	DRAWN	DATE
	UNLESS OTHERWISE SPECIFIED TOLERANCE		SCALE	CHECKED
	Dimension Range	Tolerance	1/1	APPROVED
	X.X	±0.20	UNIT	
	X.XX	±0.15	mm	
X.XXX	±0.10	SIZE	A3	
ANGLE	±5°			
Contact Technology Co., Ltd.		SHEET 1/1		
Material/Plated/Notes		NAME		
SEE NOTE		C6A Slim Type Keystone UTP		
Tooling No.		PART NO.	SEE NOTE	REV.
		DOC. NO.	NN445A155	A

Design drawing