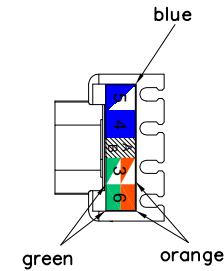
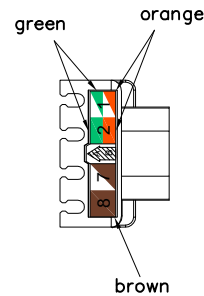
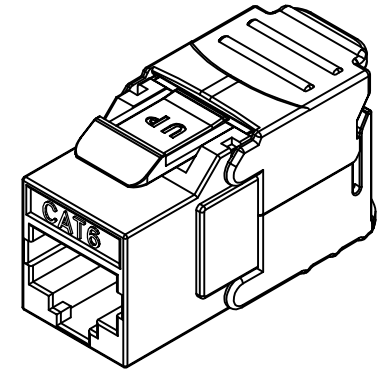
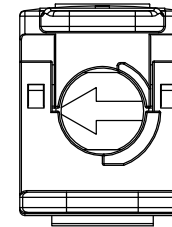
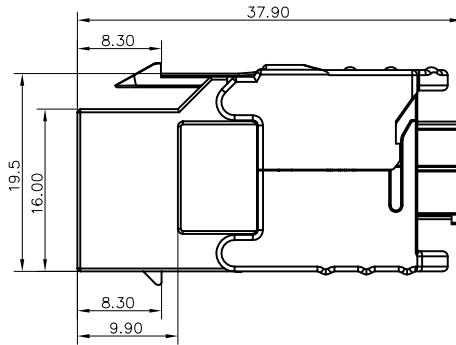
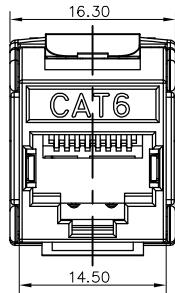
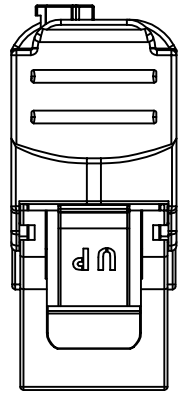


RoHS

THIS IS A RoHS
COMPLIANT
COMPONENT/
PRODUCT.



NOTES:

ELECTRICAL:

1. VOLTAGE RATING 125 VAC RMS.
2. CURRENT RATING 1.5 AMP.
3. CONTACT RESISTANCE 20 MILLIOHMS MAX.
4. INSULATION RESISTANCE 1000 MEGOHMS MIN @ 500 VDC.
5. DIELECTRIC STRENGTH: 750 VAC RMS 60Hz,1MIN.
6. CONNECTING HARDWARE:
CONFORM TO ANSI/TIA-568.2-D

ENVIRONMENTAL:

1. STORAGE: -40°C TO +85°C.
2. OPERATION: -40°C TO +85°C.

MATES WITH MODULAR PLUG CONFORMING TO TIA-1096-A.

MECHANICAL:

1. HOUSING MATERIAL: ZINC ALLOY-3, WITH NICKEL PLATING
2. INSERT&COVER MATERIAL: PC UL94V-0
3. PCB MATERIAL: FR-4
4. CONTACT MATERIAL: PHOSPHOR BRONZE
5. IDC CONTACT MATERIAL: PHOSPHOR BRONZE WITH NICKEL PLATING
6. WIRE : #22~24AWG
7. PART NUMBER: N443X-098-0X

5-50U" 01-W/C6 Logo

△ X1		ADD NEW P/N	LONNY	071822'
△ X0	0069900	NEW DESIGN	LONNY	011722'
MARK	ECN-NO.	REVISION RECORD	DRAWN	DATE
 Contact Technology Co., Ltd.	UNLESS OTHERWISE SPECIFIED TOLERANCE		SCALE	CHECKED
	Dimension Range	Tolerance	1/1	APPROVED
	X.X	±0.20	UNIT	
	X.XX	±0.15	mm	
X.XXX	±0.10	SIZE	A3	SHEET
Material/Plated/Notes		ANGLE	±5°	1/1
SEE NOTE		C6 Slim Type Keystone Jack TYPE2		
Tooling No.		PART NO.	SEE NOTE	REV.
		DOC. NO.	NN443A098	B