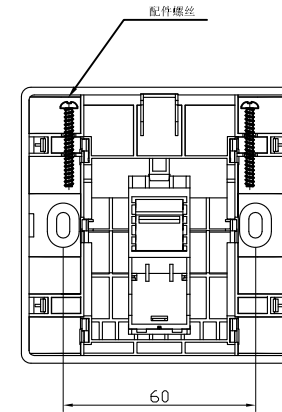
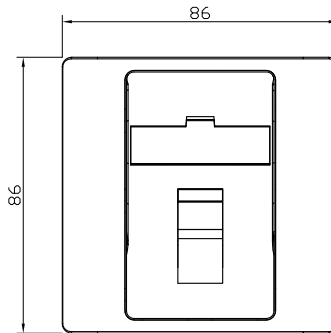
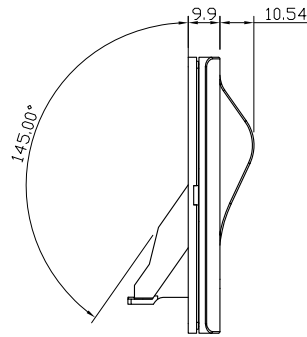
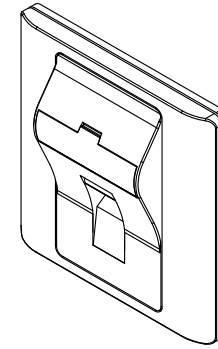
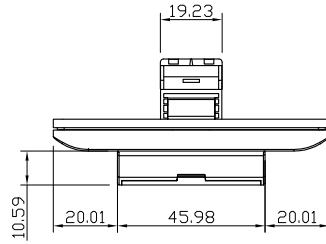


RoHS

THIS IS A RoHS COMPLIANT COMPONENT/PRODUCT.



NOTE:

- 1. MATERIAL : ABS FIREPROOF UL94V-0
- 2. BURR : 0.05 MM MAX
- 3. PART NUMBER : N471Y-047-0X
- 3. SINGLE ABS WHITE

X1		ADD NEW P/N.	SELINA	050522'
	0000000	NEW DESIGE	SELINA	072820'
MARK	ECN-NO.	REVISION RECORD	DRAWN	DATE
	UNLESS OTHERWISE SPECIFIED TOLERANCE		SCALE	CHECKED
	Dimension Range	Tolerance	1/1	
	X.X	±0.20	UNIT	APPROVED
	X.XX	±0.15	mm	
	X.XXX	±0.10	SIZE	
Contact Technology Co., Ltd.	ANGLE	±5°	A3	SHEET 1/1
Material/Plated/Notes	NAME			
SEE NOTE	Angled Wall Plate, Single			
Tooling No.	PART NO. N471Y-047-03		REV. B	
	DOC. NO. NN471A047			