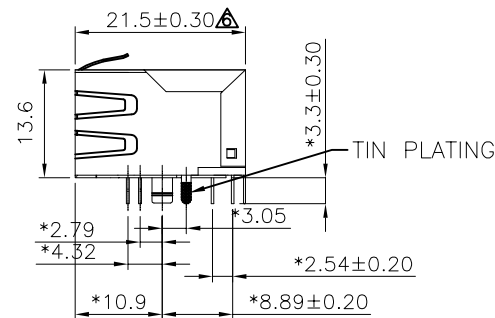
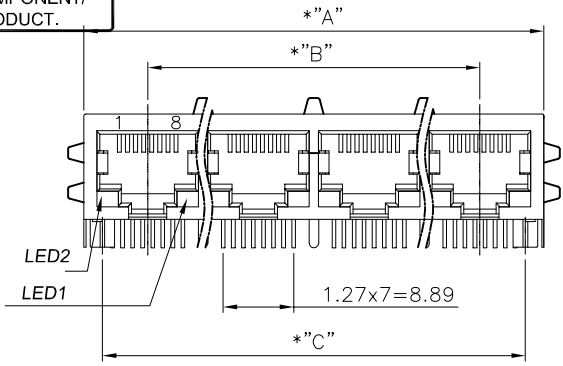
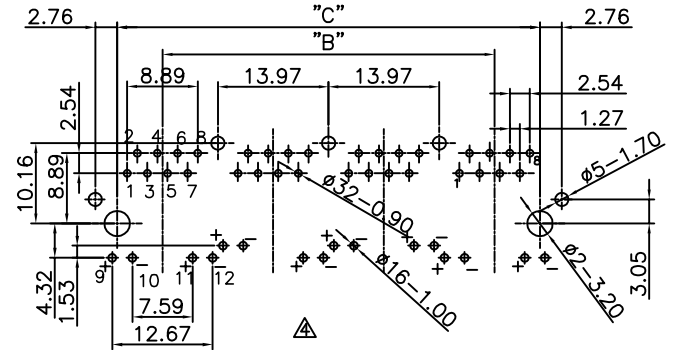




THIS IS A RoHS COMPLIANT COMPONENT/PRODUCT.



LED DISPLAY		
PART NO.	LED2	LED1
N3JXX-072-01 N3JXX-072-02 N3JXX-072-03	GREEN 9 → 10	YELLOW 11 → 12
N3JXX-072-04	GREEN 9 → 10 YELLOW	GREEN 11 → 12
N3JXX-072-05	YELLOW 9 → 10	GREEN 11 → 12
N3JXX-072-06	GREEN 9 → 10	GREEN 11 → 12



NOTES

ELECTRICAL:

- VOLTAGE RATING : 125 VAC .
- CURRENT RATING : 1.5 AMP.
- CONTACT RESISTANCE : 60 MILLIOHMS MAX.
- INSULATION RESISTANCE: 1000 MEGOHMS MIN. @ 500 VDC.
- DIELECTRIC STRENGTH : 1000 VAC 60Hz 1MIN.

MECHANICAL:

- SHIELD : t=0.25 mm BRASS C2680 H, PLATED 30u"~50u" NICKEL.
- HOUSING : HIGH TEMP. OR PBT. UL 94V-0.
- PCB : FR-4, 0.5 mm THICKNESS.
- LED : TRANSPARENT PLASTIC & SILVER COLOR METAL WITH Sn 100%.
- CONTACT : PHOSPHOR BRONZE t=0.35 mm. SELECTIVE GOLD PLATING OVER 50u" NICKEL.
- OPERATING LIFE : 1500 CYCLES MIN.

ENVIRONMENTAL:

- STORAGE : -40°C TO +85°C.
 - OPERATION : 0°C TO +70°C.
- MATES WITH MODULAR PLUG CONFORMING TO TIA-1096-A.

PART NUMBER: N3JXX-072-XX

- 2-1X2PORTS
- 3-1X3PORTS
- 4-1X4PORTS
- 5-1X5PORTS
- 6-1X6PORTS
- 8-1X8PORTS

- 1-3u" 2-6u" 3-15u"
- 4-30u" 5-50u"

- 01-BEHIND 3.05 PBT HS'G
- 02-BEHIND 3.05 HIGH TEMP. HS'G
- 03-W/O SIDE PEG PBT HS'G
- 04-LED2:G+Y,LED1:GREEN W/EMI TABS FR52 BK.
- 05-LED2:YELLOW,LED1:GREEN W/EMI TABS FR52 BK.
- 06-LED2:GREEN,LED1:GREEN W/EMI TABS FR52 BK.

CATEGORY 5E CHARACTERISTIC:

Frequency MHz	Near-End Cross Talk dB, MIN.	Return Loss dB, MIN.	Attenuation dB, MAX.
1.0	65	30	0.1
4.0	65	30	0.1
8.0	64.9	30	0.1
10.0	63	30	0.1
16.0	58.9	30	0.2
20.0	57	30	0.2
25.0	55	30	0.2
31.25	53.1	30	0.2
62.5	47.1	24.1	0.3
100.0	43	20	0.4

MARK	ECN-NO.	REVISION RECORD	DRAWN	DATE
△ X2		MODIFY DRAWING	Andy	021523'
△ X1		MODIFY DRAWING	DORIS	022517'
△ X1		ADD NEW P/N	DORIS	042516'
△ X1	N1610E01	MODIFY DRAWING	MORGAN	070415'
△ X1		ADD NEW P/N	MORGAN	080614'
△ X3		ADD NEW P/N	Ethan	112612'
△ X1		NOTE MODIFICATION	Andrew	060308'
△ X0	000000	NEW DESIGN	Andrew	031908'

PORTS	DIM "A"±0.2	DIM "B"±0.2	DIM "C"±0.1
1x8	115.06	97.79	109.22
1x6	87.12	69.85	81.28
1x5	73.15	55.88	67.31
1x4	59.18	41.91	53.34
1x3	45.21	27.94	39.37
1x2	31.24	13.97	25.40

CTK
Contact Technology Co., Ltd.

UNLESS OTHERWISE SPECIFIED TOLERANCE
Dimension Range | Tolerance
X.X | ±0.20
X.XX | ±0.15
X.XXX | ±0.10
ANGLE | ±5°

SCALE 2/1
UNIT mm
SIZE A3

CHECKED
APPROVED

SHEET 1/1

NAME
1XN CAT.5E LATCH DOWN LED JACK, STP

PART NO. SEE NOTE
DOC. NO. NN3J0A072

REV. 7