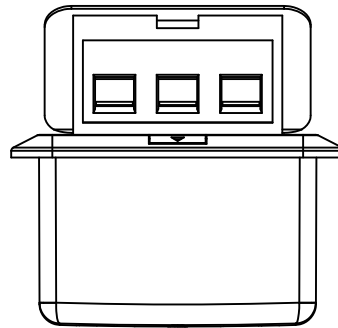
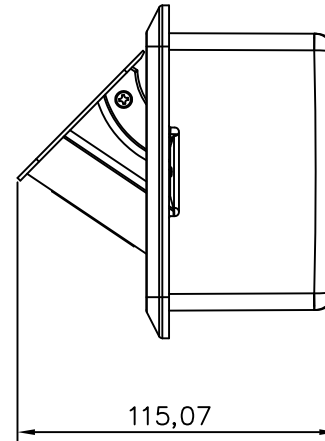
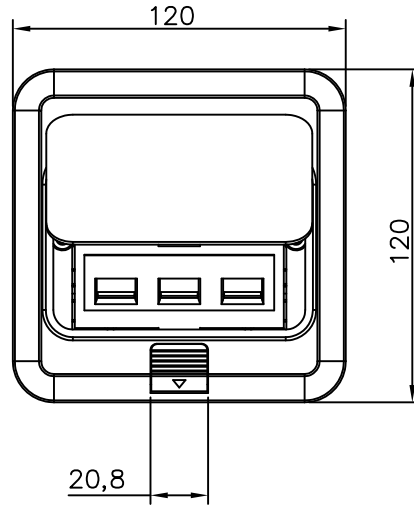
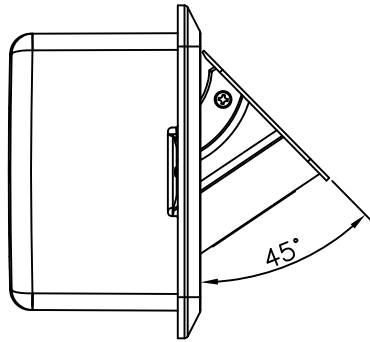
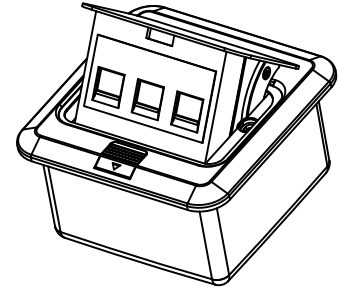


RoHS

THIS IS A RoHS
COMPLIANT
COMPONENT/
PRODUCT.



- NOTES:
1.MATERIAL: ABS, CASING BRASS ALLOY
2.BURR: 0.5mm MAX.
3.PART NUMBER: N471Y-011-XX

12.W/O LOGO

△	0069000	NEW DESIGN	SELINA	030123
MARK	ECN-NO.	REVISION RECORD	DRAWN	DATE
	UNLESS OTHERWISE SPECIFIED TOLERANCE		SCALE	CHECKED
	Dimension Range	Tolerance	1/1	APPROVED
	X.X	±0.15	UNIT	
	X.XX	±0.10	mm	SIZE
Contact Technology Co., Ltd.	ANGLE	±1°	A3	SHEET 1/1
Material/Plated/Notes	NAME			
SEE NOTE	方銅地插			
Tooling No.	PART NO.	N471Y-011-X		REV. C
	DOC. NO.	NN471A011		

Design drawing