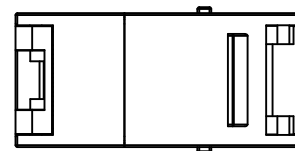
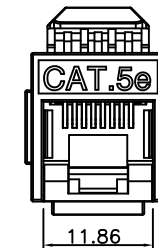
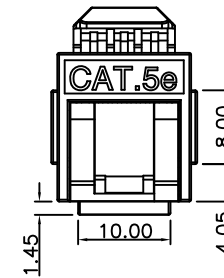
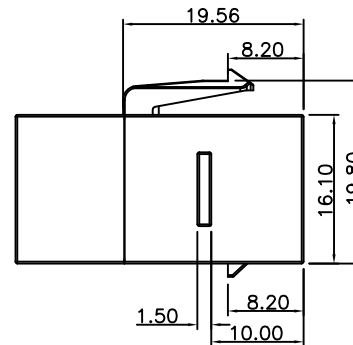
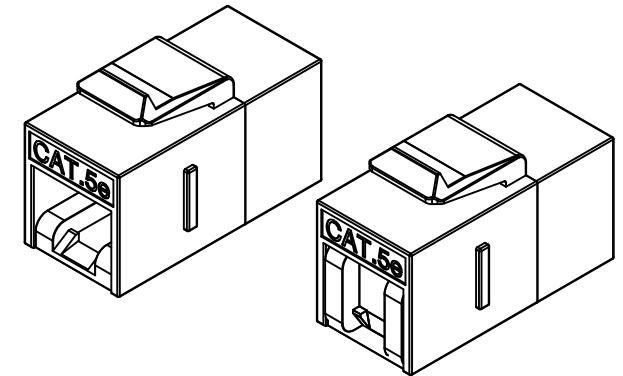
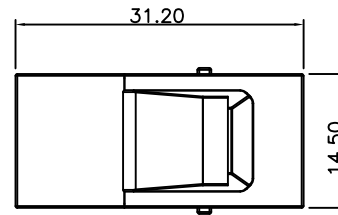


RoHS

THIS IS A RoHS COMPLIANT COMPONENT/PRODUCT.



NOTES:

ELECTRICAL:

1. VOLTAGE RATING: 125 VAC RMS.
2. CURRENT RATING: 1.5 AMP.
3. CONTACT RESISTANCE: 100 MILLIOHMS MAX.
4. INSULATION RESISTANCE: 1000 MEGOHMS MIN @ 500 VDC.
5. DIELECTRIC STRENGTH: 750 VAC RMS 60HZ,1MIN.

ENVIRONMENTAL:

1. STORAGE: -40°C TO +85°C.
2. OPERATION: -40°C TO +85°C.

MECHANICAL:

1. HOUSING MATERIAL: PC UL94V-0
2. INSERT MATERIAL: PC UL94V-0
3. PCB MATERIAL: FR-4
4. CONTACT MATERIAL: PHOSPHOR BRONZE
5. SPRING MATERIAL: SPRING STEEL
6. PART NUMBER: N446X-043-0X

1-3u" 2-6u" 01: C5e WHITE
 3-15u" 4-30u"
 5-50u"

△XO	0068000	NEW DESIGN	LONNY	040723'
MARK	ECN-NO.	REVISION RECORD	DRAWN	DATE
	UNLESS OTHERWISE SPECIFIED TOLERANCE		SCALE	CHECKED
	Dimension Range	Tolerance	1:1	APPROVED
	X.X	±0.20	UNIT	SHEET 1/1
	X.XX	±0.15	mm	
X.XXX	±0.10	SIZE	A3	
ANGLE	±5°			
Material/Plated/Notes		NAME		
SEE NOTE		CAT.5e COUPLER W/ DUST COVER		
Tooling No.	PART NO.	SEE NOTE		REV.
	DOC. NO.	NN446A043		0