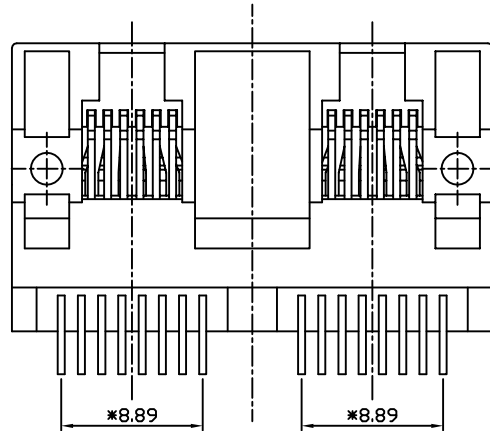
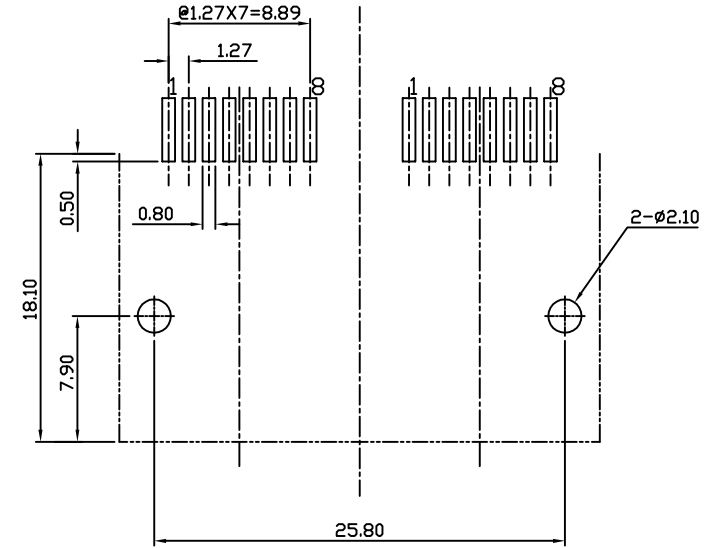
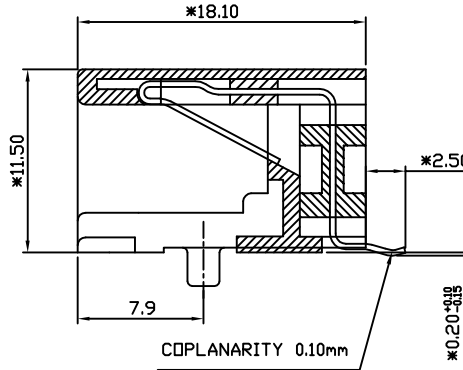
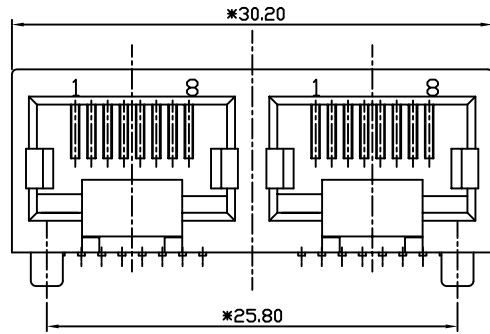




THIS IS A RoHS COMPLIANT COMPONENT/PRODUCT.



PC BOARD LAYOUT
COMPONENT SIDE SHOWN

NOTES:

ELECTRICAL:

1. VOLTAGE RATING : 125 VAC RMS.
2. CURRENT RATING : 1.5 AMP.
3. CONTACT RESISTANCE : 35 MILLIOHMS MAX.
4. INSULATION RESISTANCE : 1000 MEGOHMS MIN. @ 500 VDC.
5. DIELECTRIC STRENGTH : 1000 VAC RMS 60Hz, 1MIN.

MECHANICAL:

1. HOUSING MATERIAL : HIGH TEMP. UL94V-0 BK.
2. CONTACT MATERIAL : PHOSPHOR BRONZE t=0.35mm.
3. PLATING : GOLD PLATING OVER NICKEL.
4. OPERATING LIFE : 750 CYCLES MIN.
5. PCB RETENTION POST-SOLDER : 10 LBS MIN.

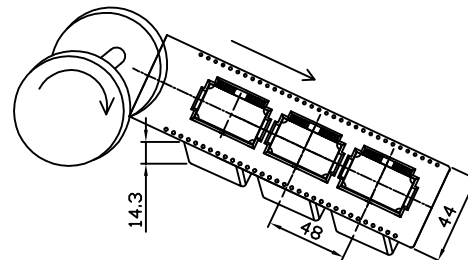
ENVIRONMENTAL:

1. STORAGE : -40°C TO +85°C.
2. OPERATION : -40°C TO +85°C.
3. REFLOW SOLDERING TEMP. : 255°C~265°C (5~10 SECONDS).

MATES WITH MODULAR PLUG CONFORMING TO
FCC PART 68, SUBPART F.

PART NUMBER : N332X-072-01H

- 1-3u" 2-6u" 3-15u"
- 4-30u" 5-50u"
- 7-GOLDFLASH



△ X0	000000	NEW DESIGN	ROCK	060812'
MARK	ECN-NO.	REVISION RECORD	DRAWN	DATE
CTK Contact Technology Co., Ltd.	UNLESS OTHERWISE SPECIFIED TOLERANCE		SCALE	CHECKED
	Dimension Range	Tolerance	3/1	APPROVED
	X.X	±0.20	UNIT	
	X.XX	±0.15	mm	
Material/Plated/Notes		NAME	SIZE	A3
SEE NOTE		1X2 SIDE ENTRY 8P8C SMT JACK		
Tooling No.	PART NO.		SEE NOTE	
	DOC. NO.		NN330A072	
			REVISION	A