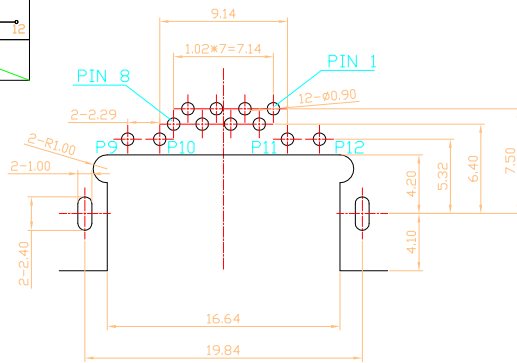
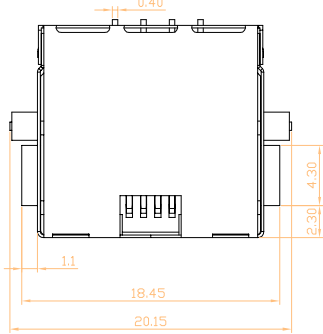


RoHS

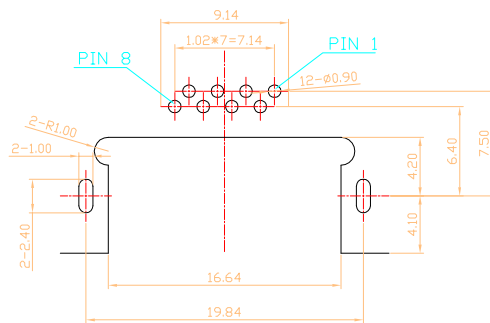
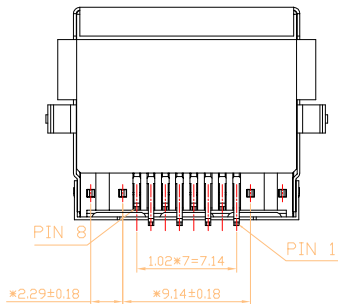
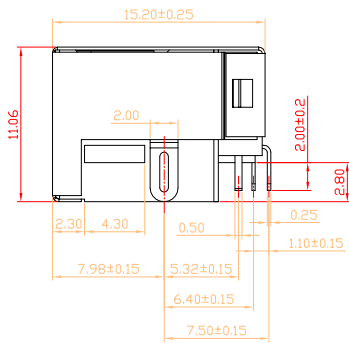
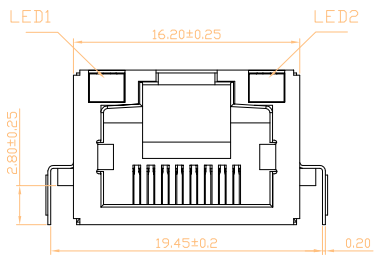
THIS IS A RoHS
COMPLIANT
COMPONENT/
PRODUCT.

LED DISPLAY

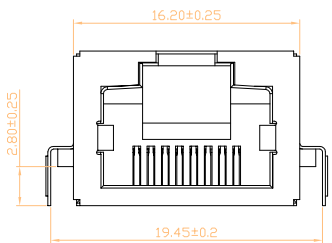
PART NO.	LED1	LED2
K3J1X-185-01H	GREEN	YELLOW
K3J1X-185-01	GREEN	
K3J1X-185-03	GREEN	



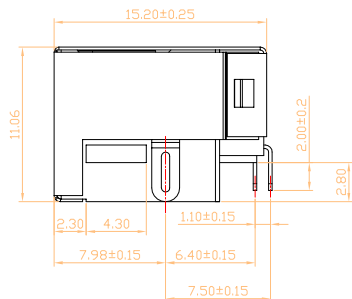
NOTES:
1. UNSPECIFIED TOLERANCE: .XX±0.05



NOTES:
1. UNSPECIFIED TOLERANCE: .XX±0.05



W/O LED



W/O LED

NOTES:

- ELECTRICAL CHARACTERISTICS:
 - 1-1.CURRENT RATING:1.0A MAX.
 - 1-2.VOLTAGE RATING:150V MAX.
 - 1-3.CONTACT RESISTANCE: 40 MILLIOHMS MAX.
 - 1-4.INSULATION RESISTANCE:500M MIN.
 - 1-5.DIELECTRIC WITHSTANDING VOLTAGE: 1000VAC CONTACT TO CONTACT.
- LED'S CHARACTERISTICS:
 - 1-5-1.POWR DISSIPATION:80mW MAX.
 - 1-5-2.FORWARD CURRENT:30mA MAX.
 - 1-5-3.FORWARD VOLTAGE;2.2V TYPICAL.
 - 1-5-4.REVERSE VOLTAGE;5.0V MAX.
- MECHANICAC CHARACTERISTICS
 - 2-1.MATING FORCES: 5 POUNDS MAX. WITH LATCH DEPRESSED.
 - 2-2.UNMATING FORCES: 10 POUNDS MAX. WITH LATCH DEPRESSED AT AN ADVANTAGEOUS ANGLE.
 - 2-3.OPERATING TEMPERATURE:-25° TO +80°
- MATERIAL:
 - 3-1.HOUSING: HIGH TEMP UL 94V-0. STAND
 - 3-2.SHELD: TINPLATE STEEL 0.20MM.
 - 3-3.CONTACT:PHOSPHO-COPPER,THICKNESS 0.25MM. CONTACTS 6u"MIN ,GOLD PLATED ON CONTACT AREA, 100u"MIN ,TIN ON SOLDER TALL,WITH ENTIRE CONTACT UNDERPLATED 30~80u"MIN ,NI
 - 3-4.LED:YELLOW AND GREEN

- PART NO:K3J1X-185-XX
- 1-3u" 2-6u" 01H-FR52 BK LED1:GREEN LED2:YELLOW
 - 3-15u"4-30u"5-50u" 02H-FR52 BK W/O LED
 - 7-gold flash 03-FR52 YL 114C LED1:GREEN
 - 04H-FR52 BK LED1:GREEN
 - △51-FR52 BK LED1:GREEN LED2:YELLOW
 - △52-FR52 BK W/O LED

△X3	0069000	NEW DESIGN	ANDY	012618
△X0	0069000	NEW DESIGN	JOY	042216
MARK	ECN-NO.	REVISION RECORD	DRAWN	DATE
		UNLESS OTHERWISE SPECIFIED TOLERANCE	SCALE 1/1	CHECKED
		Dimension Range Tolerance	UNIT mm	APPROVED
Contact Technology Co., Ltd.		ANGLE ±5°	SIZE A3	SHEET 1/1
SEE NOTE		NAME RJ45 LED JACK OR RJ45 JACK		
Tooling No.	PART NO. SEE NOTE		REV. B	
	DOC. NO. KK3J0A185			