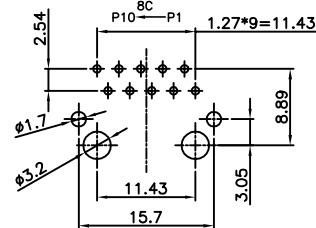
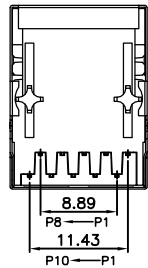
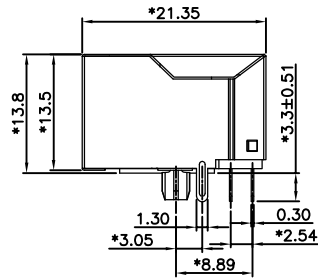
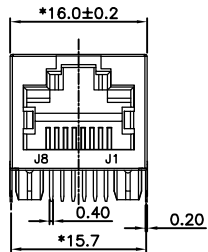
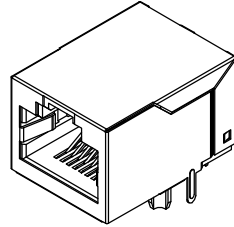


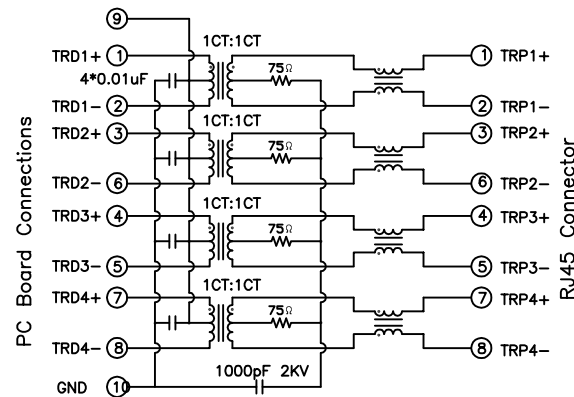
RoHS

THIS IS A RoHS COMPLIANT COMPONENT/PRODUCT.



PC Board Layout Component Side View

Schematic: GIGA



TYPE 6

Notes:

Electrical Specifications:

1. Inductance At 100 KHz, 100 mV 8mADC Bias: 350 uH Min.
2. Leakage Inductance 0.3 uH Max. @100KHz 100mV
3. Insertion Loss: 1.1 dB Max. @ 1-100 MHz
4. Return Loss: 18dB Min. @1-30MHz
16dB Min. @ 30-60MHz
12dB Min. @ 60-80MHz
5. Cross Talk: 1-100MHz 30dB Min.
6. Common Mode Rejection: 30dB Min. @1-100MHz
7. Isolation Voltage @60Hz:1500Vrms(Input To Output) 60 Seconds
8. VOLTAGE RATING: 30VDC.
9. CURRENT RATING: 8mADC.
10. DCR (P1-P2,P3-P6) 0.9 Ohms Max.

Mechanical:

1. Housing Material: Polyester or High temp. (UL94V-0)
2. Contact Mateial: Phosphor Bronze t=0.30mm.
3. Plating: Contact Area- Gold Plating.
Tails- 150u" Tin Min. Over 50u" Nickel.
4. Shield Material: Brass C2680 t=0.20mm. 50u" Nickel Plating
5. Operating Life: 1000 Cycles Min.
6. PCB Retention Pre-Solder: 1 Lb Min.
7. PCB Retention Post-Solder: 10 Lbs Min.

Environmental:

1. Storage: -40°C To +85°C.
2. Operation: 0°C To +75°C.

Mates With Modular Plug Conforming To TIA-1096-A

Part Number: K3T1X-023-XX

1-3u" 2-6u" 3-15u"
4-30u" 5-50u" 7-gold flash

11: HIGH TEMP BK W/O EMI TYPE6
Operation: -40°C TO +85°C.

△ X1		ADD NEW P/N	GRACE	053014'
△ X0		NEW REVISION	GRACE	052713'
MARK	ECN-NO.	REVISION RECORD	DRAWN	DATE
		UNLESS OTHERWISE SPECIFIED TOLERANCE	SCALE	CHECKED
		Dimension Range Tolerance		APPROVED
		X.X	±0.20	UNIT
		X.XX	±0.15	mm
		X.XXX	±0.10	SIZE
Contact Technology Co., Ltd.		ANGLE	±5°	A3
Material/Plated/Notes		NAME		
SEE NOTE		1*1 Transformer Jack		
Posting No.	PART NO.	K3T1X-023-0X		REV.
	DOC. NO.	KK3TOA023		A