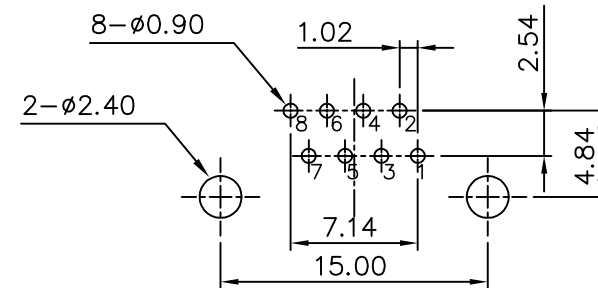
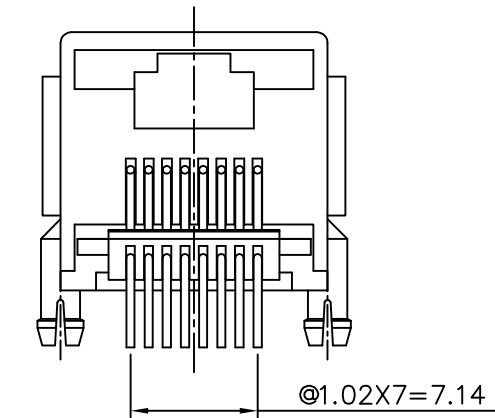
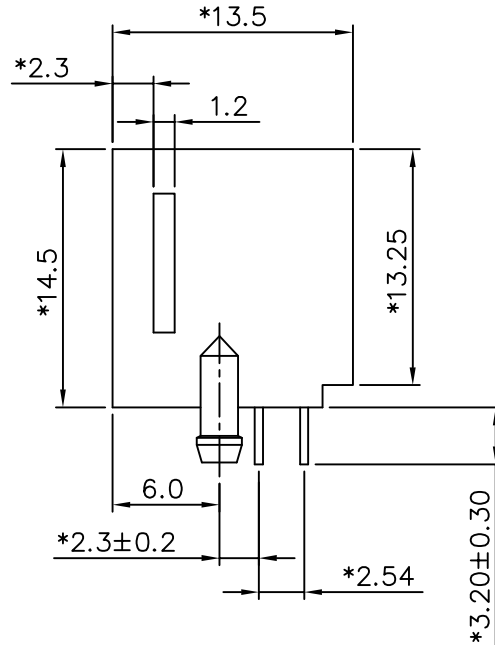
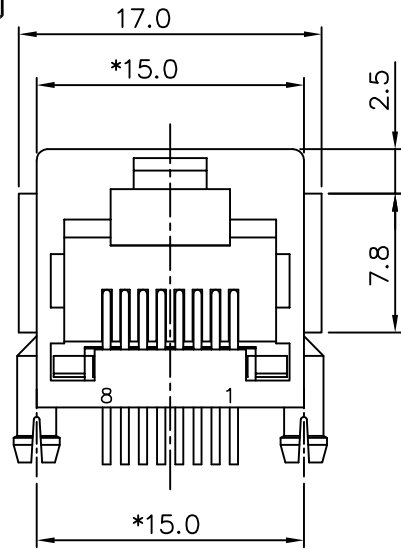


RoHS

THIS IS A RoHS COMPLIANT COMPONENT/PRODUCT.



PC Board Layout
Component Side Shown

NOTES:

ELECTRICAL:

- 1. VOLTAGE RATING : 125 VAC.
- 2. CURRENT RATING : 1.5 AMP.
- 3. CONTACT RESISTANCE : 30 MILLIOHMS MAX.
- 4. INSULATION RESISTANCE : 500 MEGOHMS MIN. @ 500 VDC.
- 5. DIELECTRIC STRENGTH : 1000 VAC 60Hz, 1MIN.

MECHANICAL:

- 1. HOUSING MATERIAL : GLASS FILLED POLYESTER OR HIGH TEMP. UL94V-0.
: COLOR STANDARD BK. OR GY.
- 2. CONTACT MATERIAL : PHOSPHOR BRONZE ø0.46 mm.
- 3. PLATING : GOLD PLATING OVER NICKEL.
- 4. OPERATING LIFE : 750 CYCLES MIN.
- 5. PCB RETENTION PRE-SOLDER : 1 LB MIN.
- 6. PCB RETENTION POST-SOLDER : 10 LBS MIN.

ENVIRONMENTAL:

- 1. STORAGE : -40°C TO +85°C.
- 2. OPERATION : -40°C TO +85°C.

MATES WITH MODULAR PLUG CONFORMING TO TIA-1096-A.

PART NUMBER : N351X-002-XX

- 1-3u" 2-6u"
- 3-15u" 4-30u"
- 5-50u" 7-GOLD FLASH
- B-0.5u"

- 01-POLYESTER BK.
- 02-HIGH TEMP. BK.
- 03-POLYESTER GY.
- 04-HIGH TEMP. GY.
- 05-HIGH TEMP.(HS'G FR52). BK.
- 06-POLYESTER YL.
- 07-HIGH TEMP.(HS'G&IN'S FR52). BK.
- 08-HIGH TEMP. SNOW WHITE.

△ X 2		DELETE N351X-002-09	DORIS	082918	
△ X 2		ADD NEW P/N	MORGAN	081418	
△ X 1		ADD NEW P/N	ROCK	091310	
△ X 1		ADD NEW P/N	YANG	032610	
△ X 0	000000	NEW DESIGN	LINGER	061206	
MARK	ECN-NO.	REVISION RECORD	DRAWN	DATE	
 Contact Technology Co., Ltd.		UNLESS OTHERWISE SPECIFIED TOLERANCE	SCALE	CHECKED	
		Dimension Range	Tolerance	2.5/1	
		X.X	±0.20	UNIT	APPROVED
		X.XX	±0.15	mm	
X.XXX	±0.10	SIZE	A3		
ANGLE	±5°				
Material/Plated/Notes		NAME			
SEE NOTE		MINI L/P SIDE ENTRY PCB JACK, 8P			
Tooling No.		PART NO.	SEE NOTE	REV.	
		DOC. NO.	NN350A002	E	