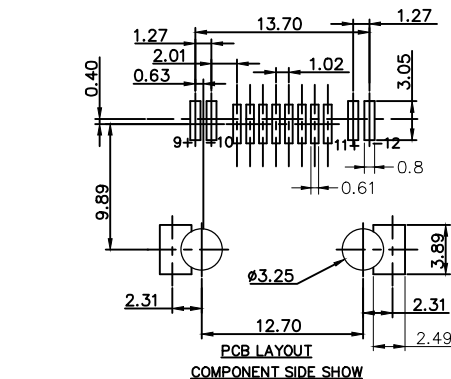
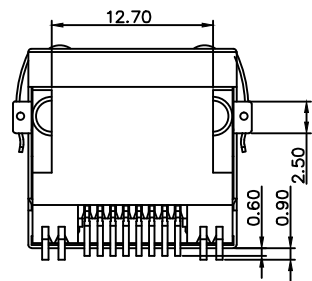
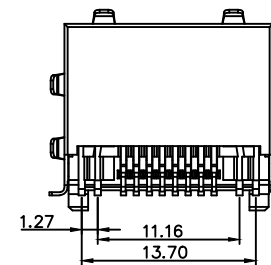
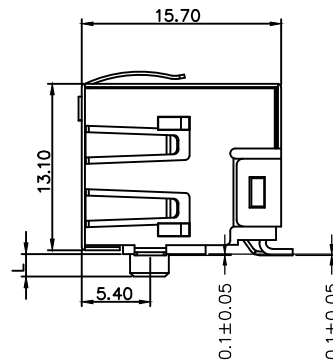
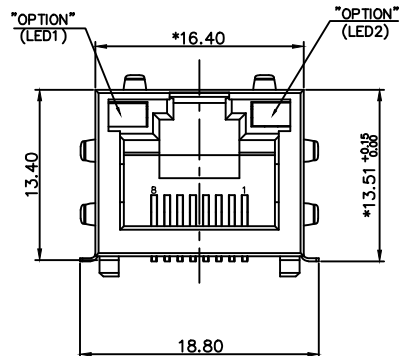




THIS IS A ROHS COMPLIANT COMPONENT/ PRODUCT.



NOTES:

ELECTRICAL:

1. VOLTAGE RATING : 125 VAC.
2. CURRENT RATING : 1.5 AMP.
3. CONTACT RESISTANCE : 30 MILLIOHMS MAX.
4. INSULATION RESISTANCE : 1000 MEGOHMS MIN. @ 500 VDC.
5. DIELECTRIC STRENGTH : 750 VAC 60Hz, 1MIN.
6. DIELECTRIC STRENGTH SHIELD TO LED : 1500 VAC 60Hz, 1MIN.
7. LED RATINGS: FORWARD VOLTAGE : 2.2 VOLTS TYPICAL.
REVERSE VOLTAGE : 5 VOLTS MAXIMUM.
8. OPERATING: 750 CYCLES MIN.

MECHANICAL:

1. HOUSING MATERIAL : GLASS FILLED HIGH TEMP. UL94V-0.
2. SHIELD MATERIAL : C2680H PLATING NICKEL 30~80U. FOR ALL.
3. CONTACT MATERIAL : PHOSPHOR BRONZE t=0.30 mm.
UNDER PLATING: NICKEL PLATING 30~80u" OVER ALL
4. PLATING : GOLD PLATING OVER NICKEL.
5. PCB RETENTION PRE-SOLDER : 1 LB MIN.
6. PCB RETENTION POST-SOLDER: 10 LBS MIN.

ENVIRONMENTAL:

1. STORAGE : -40°C TO +85°C.
2. OPERATION: -40°C TO +85°C.
3. IR REFLOW SOLDERING TEMPERATURE: 255°C TO 265°C (5~10 SECONDS)

MATES WITH MODULAR PLUG CONFORMING TO TIA-1096-A.

PART NUMBER: K3J1X-355-XX

03-LED1: GREEN, LED2: YELLOW W/TOP&SIDE TABS PA9T BKL=1.78MM

- 1-3u" 2-6u"
- 3-15u" 4-30u"
- 5-50u" 7-GOLD FLASH

LED DISPLAY

PART NO.	LED1	LED2
K3J1X-355-03	GREEN 9 → [LED] → 10	YELLOW 11 → [LED] → 12

AX0	0009000	NEW DESIGN	SOULE	110119
MARK	ECN-NO.	REVISION RECORD	DRAWN	DATE

	UNLESS OTHERWISE SPECIFIED TOLERANCE	SCALE	CHECKED
	Dimension Range Tolerance	1/1	
	X.X	±0.05	UNIT

X.XX	±0.01	mm	
X.XXX	±0.005	SIZE	
ANGLE	±1°	A3	SHEET 1/1

Contact Technology Co., Ltd.	NAME
Material/Plated/Notes	1X1 RJ45 W/LED SMT JACK,STP

SEE NOTE	PART NO.	REV.
	SEE NOTE	A

Tooling No.	DOC. NO.
	KK3J0A355