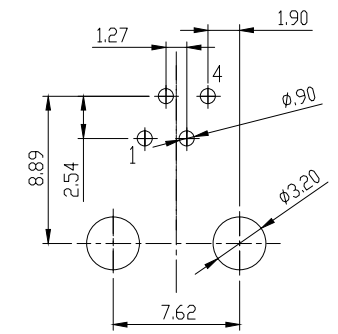
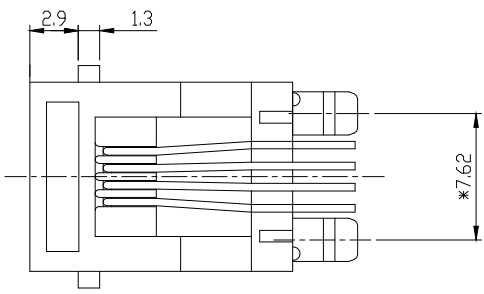


SECTION A-A



PC Board layout
 Component Side Shown

NOTES:

ELECTRICAL:

1. VOLTAGE RATING : 125 VAC RMS MIN.
2. CURRENT RATING : 1.5 AMP MIN.
3. CONTACT RESISTANCE : 30 MILLIOHMS MAX.
4. INSULATION RESISTANCE: 1000 MEGOHMS MIN @ 500 VDC.
5. DIELECTRIC STRENGTH: 750 VAC RMS 50Hz, 1MIN.

MECHANICAL:

1. HOUSING MATERIAL : CLASS FILES POLYESTER OR HIGH TEMP. UL94V-0
2. CONTACT MATERIAL : PHOSPHOR BRONZE $\phi=0.46\text{mm}$
3. PLATING : GOLD PLATING OVER NICKEL.
4. OPERATING LIFE : 750 CYCLES MIN.
5. PCB RETENTION PRE-SOLDER: 1 LB MIN.
6. PCB RETENTION POST-SOLDER: 10 LBS MIN.

ENVIRONMENTAL:

1. STORAGE : -40°C TO +85°C.
2. OPERATION: -40°C TO +85°C.

MATES WITH MODULAR PLUG CONFORMING TO

FCC PART 68, SUBPART F.

PART NUMBER: N311X-047-XX

- | | | | |
|--------|--------|--------|-----------------------------------|
| 1- 3u" | 2- 6u" | 3-15u" | 01-4P4C HIGH TEMP. W/O PANEL STOP |
| 4-30u" | 5-50u" | | 02-4P4C HIGH TEMP. W/ PANEL STOP |
| | | | 03-4P4C POLYESTER W/O PANEL STOP |
| | | | 04-4P4C POLYESTER W/ PANEL STOP |

\triangle X0	000000	NEW DESIGN	YANG	091208
MARK	ECN-NO.	REVISION RECORD	DRAWN	DATE
CTK Contact Technology Co., Ltd.	UNLESS OTHERWISE SPECIFIED TOLERANCE		SCALE	CHECKED
	Dimension Range Tolerance		2.5/1	eva
	X.X	±0.20	UNIT	APPROVED
	X.XX	±0.15	mm	peter
X.XXX	±0.10	SIZE	A3	SHEET 1/1
ANGLE	±5°			
Material/Plated/Notes		NAME		
SEE NOTE		TOP ENTRY PCB JACK W/D SHORTING BAR		
Tooling No.		PART NO.	SEE NOTE	REV.
		DOC. NO.	NN310A047	0