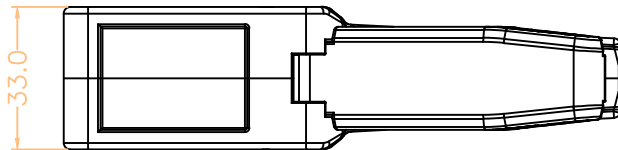
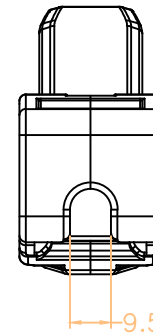
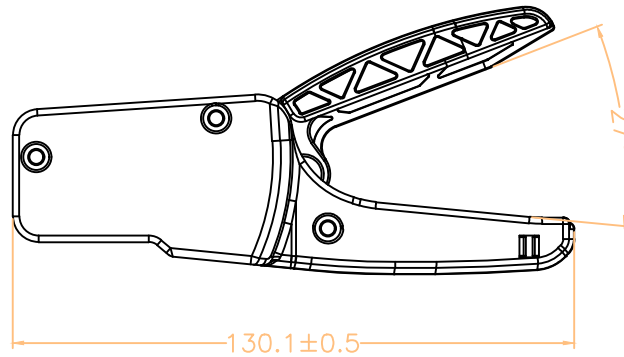
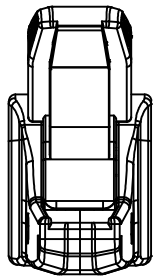
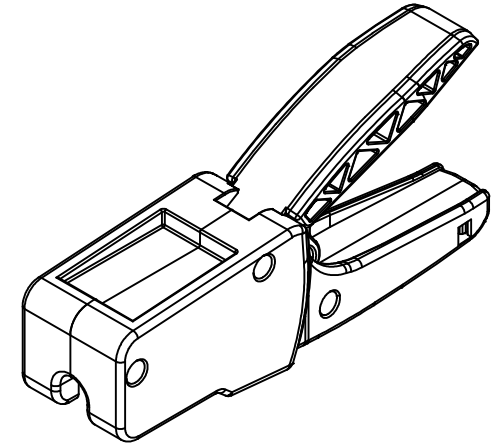
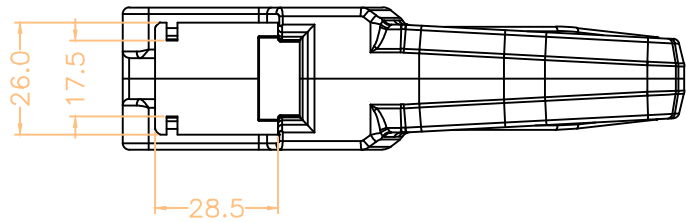


RoHS

THIS IS A RoHS  
COMPLIANT  
COMPONENT/  
PRODUCT.



NOTES:

1.MATERIAL: ABS

2.PART NUMBER:N425Y-016-XX

01.BLUE,WITH Cable Strippers

△	0000000	NEW DESIGN	LONNY	061422'
MARK	ECN-NO.	REVISION RECORD	DRAWN	DATE
	UNLESS OTHERWISE SPECIFIED TOLERANCE		SCALE	CHECKED
	Dimension	Range	Tolerance	1/1
	X.X		±0.20	UNIT mm
	X.XX		±0.15	APPROVED
Contact Technology Co., Ltd.		X.XXX	±0.10	SIZE A3
Material/Plated/Notes		ANGLE	±5°	SHEET 1/1
SEE NOTE		CRIMPING PLIERS		
Tooling No.		PART NO.	N425Y-016-0X	REV. A
		DOC. NO.	NN425A016	