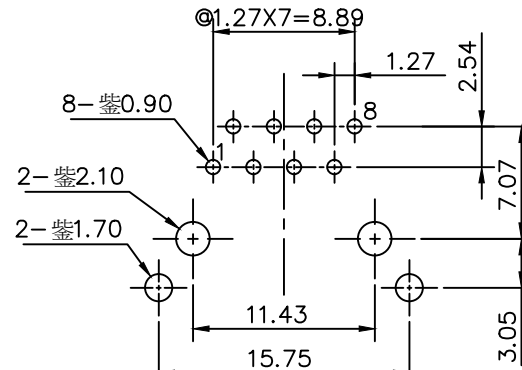
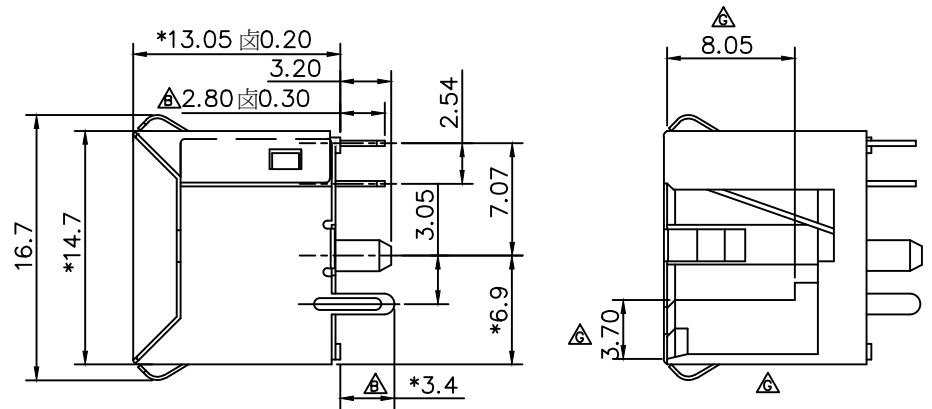
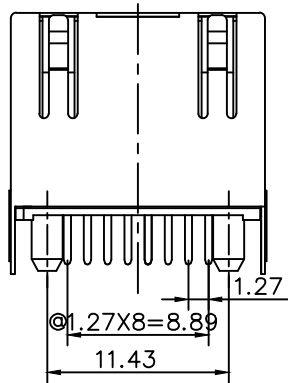
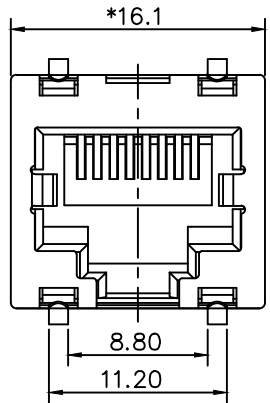
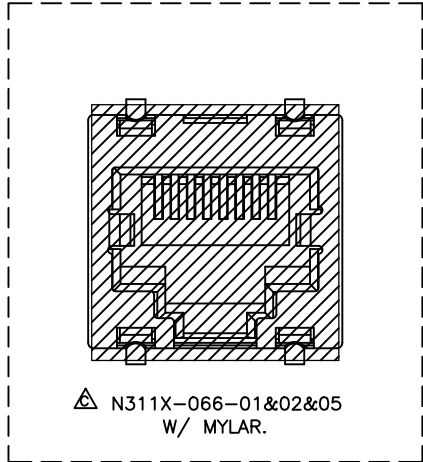


ROHS

THIS IS A ROHS COMPLIANT COMPONENT/ PRODUCT.



PC Board Layout
Component Side Shown

NOTES:

ELECTRICAL:

1. VOLTAGE RATING : 125 VAC.
2. CURRENT RATING : 1.5 AMP.
3. CONTACT RESISTANCE : 30 MILLIOHMS MAX.
4. INSULATION RESISTANCE : 1000 MEGOHMS MIN. @ 500 VDC.
5. DIELECTRIC STRENGTH : 1000 VAC 60Hz, 1MIN.

MECHANICAL:

1. HOUSING & INSERT MATERIAL : POLYESTER OR HIGH TEMP. UL94V-0.
2. CONTACT MATERIAL : PHOSPHOR BRONZE t=0.35mm.
3. SHIELD MATERIAL : COPPER ALLOY t=0.20mm.
4. PLATING : GOLD PLATING OVER NICKEL.
5. OPERATING LIFE : 1500 CYCLES MIN.
6. PCB RETENTION PRE-SOLDER : 1 LB MIN.
7. PCB RETENTION POST-SOLDER : 10 LBS MIN.

ENVIRONMENTAL:

1. STORAGE : -40°C TO +85°C.
2. OPERATION : -40°C TO +85°C.

△ MATES WITH MODULAR PLUG CONFORMING TO TIA-1096-A.

PART NUMBER : N311X-066-0X

- | | |
|---------------------|---|
| 1-3u" 2-6u" | 1-POLYESTER BK. W/ EMI TAB |
| 3-15u" 4-30u" | △ 2-HIGH TEMP. BK.(VOIDED) W/ EMI TAB |
| 5-50u" 7-GOLD FLASH | △ 3-HIGH TEMP. BK.(W/O MYLAR)(VOIDED) W/ EMI TAB |
| | 4-POLYESTER BK.(W/O MYLAR) W/ EMI TAB |
| | △ 5-HIGH TEMP.(PA9T) BK. W/ EMI TAB |
| | △ 6-HIGH TEMP.(PA9T) BK.(W/O MYLAR) W/ EMI TAB |
| | 7-HOUSING HIGH TEMP BK & INSERT POLYESTER BK (W/O MYLAR) W/ EMI TAB |
| | △ 8-HIGH TEMP.(PA9T) BK.W/O EMI TAB |

△ X3		MODIFY DESIGN	Andy	031621'
△ X1		ADD PART NO.	JOY	072420'
△ X4		ADD PART NO.	JOY	062918'
△ X4	N1212E04	ADD PART NO.	ROCK	121312'
△ X2	0000000	ADD PART NO.	ROCK	042412'
△ X2	0000000	MODIFY DESIGN	YANG	060410
△ X0	0000000	NEW DESIGN	YANG	052410
MARK	ECN-NO.	REVISION RECORD	DRAWN	DATE

<p>Contact Technology Co., Ltd.</p>	UNLESS OTHERWISE SPECIFIED TOLERANCE	SCALE	CHECKED
	Dimension Range Tolerance	2.5/1	
	X.X ±0.20 UNIT		APPROVED
X.XX ±0.15	mm		
X.XXX ±0.10	SIZE	A3	SHEET 1/1
ANGLE ±5°			
Material/Plated/Notes	NAME		
SEE NOTE	1X1 RJ45 TOP ENTRY PCB JACK		
Tooling No.	PART NO.	SEE NOTE	REV. G
	DOC. NO.	NN310A066	