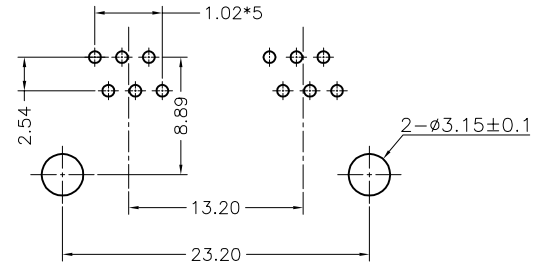
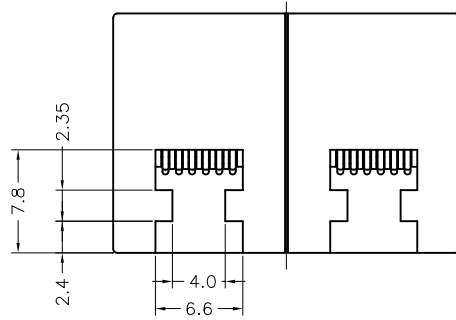
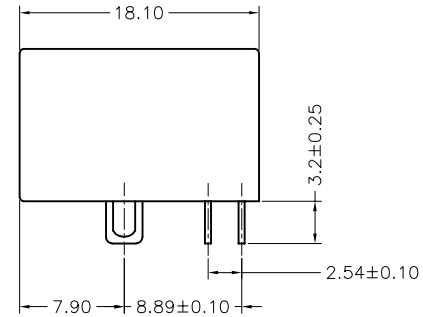
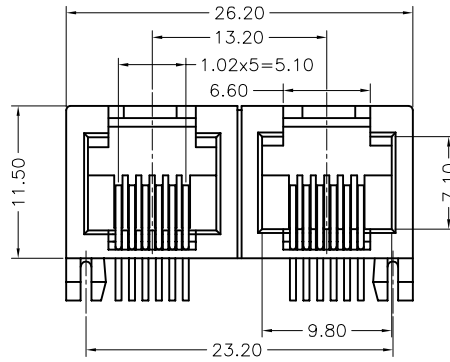




THIS IS A RoHS COMPLIANT COMPONENT/PRODUCT.



PCB LAYOUT/TOP VIEW



NOTES:

ELECTRICAL:

- 1. VOLTAGE RATING : 125 VAC.
- 2. CURRENT RATING : 1.5 AMP.
- 3. CONTACT RESISTANCE : 45 MILLIOHMS MAX.
- 4. INSULATION RESISTANCE : 1000 MEGOHMS MIN. @ 500 VDC.
- 5. DIELECTRIC STRENGTH : 1000 VAC 60Hz, 1MIN.

MECHANICAL:

- 1. HOUSING MATERIAL : GLASS FILLED POLYESTER OR HIGH TEMP. UL94V-0.
- 2. CONTACT MATERIAL : PHOSPHOR BRONZE ø0.46mm.
- 3. PLATING : GOLD PLATING OVER NICKEL.
- 4. OPERATING LIFE : 750 CYCLES MIN.
- 5. PCB RETENTION PRE-SOLDER : 1 LB MIN.
- 6. PCB RETENTION POST-SOLDER : 10 LBS MIN.

ENVIRONMENTAL:

- 1. STORAGE TEMPERATURE : -40°C TO +85°C.
- 2. OPERATION TEMPERATURE : -40°C TO +85°C.

MATES WITH MODULAR PLUG CONFORMING TO

- FCC PART 68, SUBPART F.
- | | | |
|--------|--------|-----------------------------------|
| 1-3u" | 2-6u" | 01:6P4C BK POLYESTER |
| 3-15u" | 4-30u" | 02:6P4C GY POLYESTER(SD-012) |
| | | 03:6P2C BK POLYESTER |
| | | 04:6P2C GY POLYESTER(SD-012) |
| | | 05:6P4C BK HIGH TEMP |
| | | 06:6P6C BK POLYESTER |
| | | 07:6P2C GY POLYESTER(KSSD90053) |
| | | 08:6P2C GREEN POLYESTER(347C) Δ |
| | | 09:6P2C BK HIGH TEMP Δ |
| | | 10:6P6C BK HIGH TEMP Δ |
| | | 11:6P2C GY(8C) POLYESTER Δ |
| | | 12:6P2C COLL GRAY(3U) POLYESTER Δ |
| | | 13:6P2C COLL GRAY(9U) POLYESTER Δ |

- 1-3u" 2-6u"
- 3-15u" 4-30u"
- 5-50u" 7-GOLD FLASH

△X1		ADD TO NEW P/N	KELVIN	122109
△X1		ADD TO NEW P/N	KELVIN	121009
△X1		ADD TO NEW P/N	KELVIN	112009
△X1		ADD TO NEW P/N	KELVIN	092908
△X1		MODIFY DRAWING	KELVIN	092007
△X2		MODIFY DRAWING	KELVIN	012806
△X1		MODIFY DRAWING	KELVIN	111006
△X3		MODIFY DRAWING	KELVIN	090406
△X0	000000	NEW DESING	KELVIN	063006
MARK	ECN-NO.	REVISION RECORD	DRAWN	DATE

	UNLESS OTHERWISE SPECIFIED TOLERANCE		SCALE	CHECKED
	Dimension Range	Tolerance	2/1	
	X.X	±0.20	UNIT	APPROVED
	X.XX	±0.15	mm	
	X.XXX	±0.10	SIZE	A3
	ANGLE	±5°		SHEET 1/1
Contact Technology Co., Ltd.		NAME		
Material/Plated/Notes		RJ11 SIDE ENTRY PCB JACK		
SEE NOTE		PART NO. SEE NOTE		
Tooling No.		DOC. NO. KK330A002		REV. I
8000621				