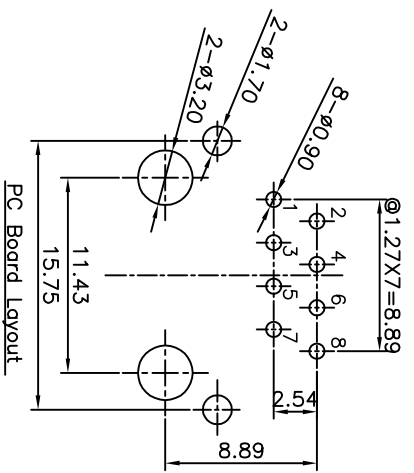
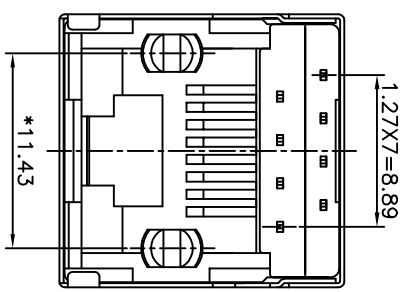
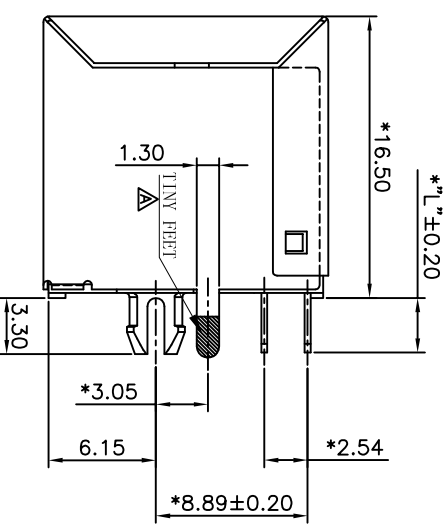
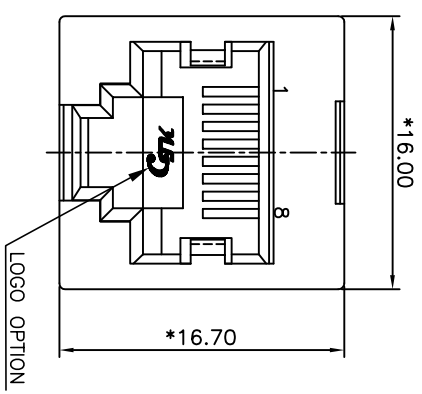


CATEGORY 6 CHARACTERISTIC:

Frequency	Near-End Cross Talk dB, MIN.	Return Loss dB, MIN.	Attenuation dB, MAX.
1.0 MHz	75.0	35.5	0.1
4.0 MHz	75.0	35.5	0.1
10.0 MHz	74.0	35.5	0.1
16.0 MHz	69.9	35.5	0.1
25.0 MHz	66.0	35.5	0.1
31.25 MHz	64.1	34.1	0.1
62.5 MHz	58.1	28.1	0.1
100.0 MHz	54.0	24.0	0.2
200.0 MHz	48.0	18.0	0.3
250.0 MHz	46.0	16.0	0.3



NOTES:

ELECTRICAL:

- VOLTAGE RATING : 125VAC.
- CURRENT RATING : 1.5 AMP.
- CONTACT RESISTANCE : 35 MILLIOHMS MAX.
- INSULATION RESISTANCE : 1000 MEGOHMS @ 500 VDC. MIN.
- DIELECTRIC STRENGTH : 1000 VAC 60HZ, 1MIN.

MECHANICAL:

- HOUSING MATERIAL : GLASS FILLED POLYESTER OR HIGH TEMP. UL94V-0.
- CONTACT MATERIAL : PHOSPHOR BRONZE T=0.35mm.
- SHIELD MATERIAL : COPPER ALLOY T=0.20mm.
- PLATING : SELECTIVE GOLD PLATING OVER NICKEL.
- OPERATING LIFE : 750 CYCLES MIN.
- PCB RETENTION PRE-SOLDER : 1 LB MIN.
- PCB RETENTION POST-SOLDER : 10 LBS MIN.

ENVIRONMENTAL:

- STORAGE : -40°C TO +85°C
 - OPERATION : -40°C TO +85°C.
- MATES WITH MODULAR PLUG CONFORMING TO TIA-1096-A.
- PART NUMBER: N371X-022-XX

- 1-3u" 2-6u"
- 3-15u" 4-30u"
- 5-50u"

02-L=3.20 HIGH TEMP. W/O TIN PLATING W/O LOGO
TINNY FEET



△ X1	TINNY FEET	GRACE	080618
△ X0	0099900	YANG	033109
MARK	ECN-NO.	REVISION RECORD	DRAWN DATE
		NEW DESIGN	
		REVISION RECORD	
		UNLESS OTHERWISE SPECIFIED TOLERANCE	SCALE
Contact Technology Co., Ltd. Material/Plated/Notes SEE NOTE		±0.20 UNIT	1.25/1
		±0.15	APPROVED
		±0.10	SIZE
		±5°	ANGLE
		A3	SHEET
			1/1
		CAT:6 TOP ENTRY MODULE JACK STP	
Tooling No.	PART NO.	DOC. NO.	REV.
	SEE NOTE	N370A022	A