

RoHS

THIS IS A RoHS COMPLIANT COMPONENT/PRODUCT.

Reference Drawing

Notes:

Characteristics Description:

1. RJ45 1000 Base-Tx Transformer Jack With Transformer Impedance Resistor/High Voltage Capacitor.
2. Size Same As RJ-45 Modular Jack To Save PCB Space.
3. Reduce EMI Radiation, Improve EMI Performance.
4. Designed For Network Interface Card Application.
5. Designed To Meet IEEE 802.3u Requirement.
6. Designed For 1000 Base Transmission over UTP-5 Cable.

Electrical Specifications:

1. Inductance At 100 KHz, 100 mV 8mADC Bias: 350 uH Min.
2. Leakage Inductance 0.4 uH Max. @100KHz 100mV
3. Insertion Loss: 1.1 dB Max. @ 1-100 MHz
4. Return Loss: 18dB Min. @ 1-40MHz
12+20LOG(f/80MHz)dB Min. @ 40-100MHz

5. Cross Talk: 30dB Min. @ 1-100MHz
6. Common Mode Rejection: 30dB Min. @1-100MHz
7. Isolation @60Hz: 1500Vrms(Input To Output) 60 Seconds

Mechanical:

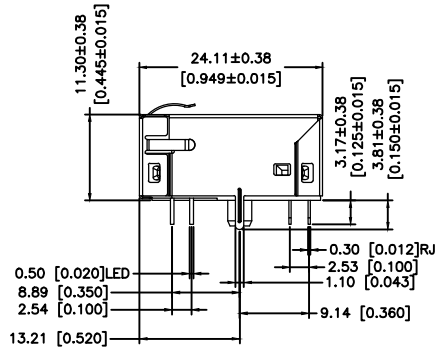
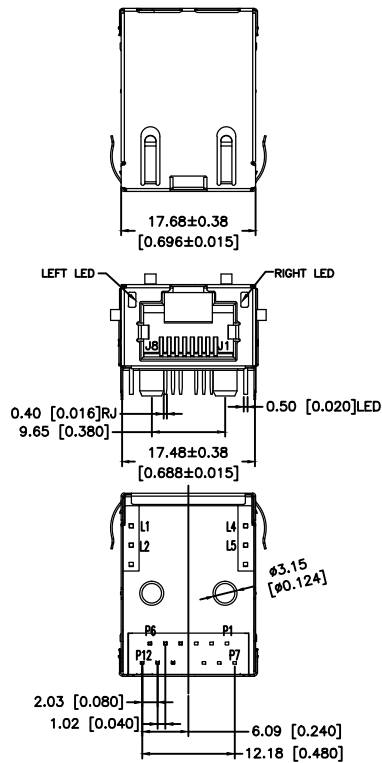
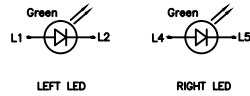
1. Housing Material: Temperature BLACK UL94V-0
2. USB Housing Material: Temperature BLUE UL94V-0
3. Contact Mateial: Phosphor Bronze t=0.35mm.
4. Plating: Contact Area-Gold Plating.
5. Shield Material: Brass C2680 .T=0.2mm

Environmental:

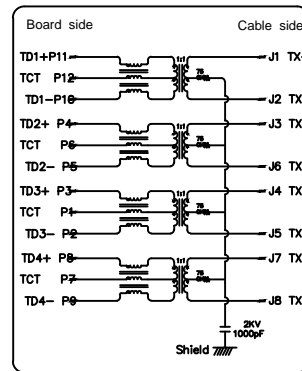
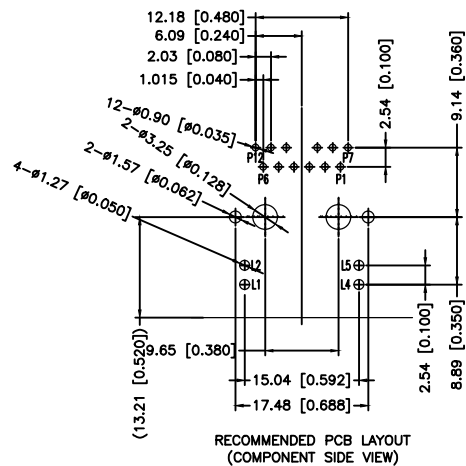
1. Storage :-40°C To +85°C.
 2. Operation :-40°C To +85°C.
- Mates With Modular Plug Conforming To TIA-1096-A

Part Number: K3T1X-152-XX

1-3u" 2-6u" 3-15u" XX:W/ TAB EMIHIGH TEMP .BK.
4-30u" 5-50u" 7-GOLD FLASH TYPE1



Schematic: GIGA



TYPE1

△ X0	0000000	NEW DESIGN	Joy	012522
MARK	ECN-NO.	REVISION RECORD	DRAWN	DATE
		UNLESS OTHERWISE SPECIFIED TOLERANCE	SCALE	CHECKED
		Dimension Range Tolerance	1/1	APPROVED
Contact Technology Co., Ltd.		X.X ±0.20	UNIT	
Material/Plated/Notes		X.XX ±0.15	mm	
SEE NOTE		X.XXX ±0.10	SIZE	A3
NAME		ANGLE	±5°	SHEET 1/1
RJ45 ICM,1000BASE-T,W/LED		REV.		
PART NO.		SEE NOTE		0
DOC. NO.		KK3T0A152		