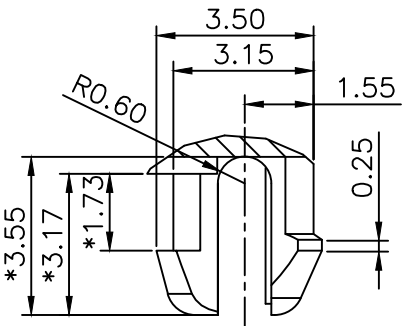
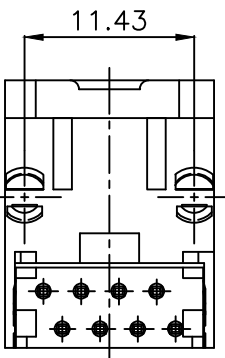
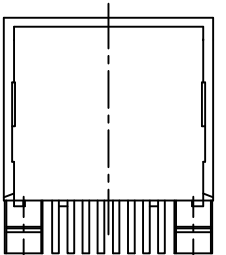
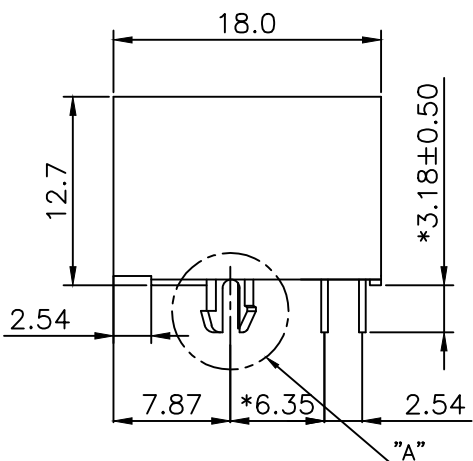
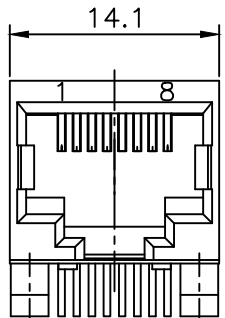
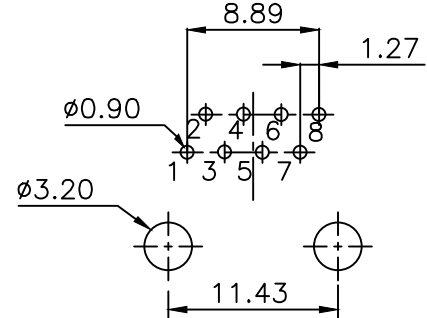


RoHS

THIS IS A RoHS COMPLIANT COMPONENT/PRODUCT.



DETAIL A
SCALE 3:1



PCB LAYOUT

NOTES:

ELECTRICAL:

- 1. VOLTAGE RATING : 125 VAC.
- 2. CURRENT RATING : 1.5 AMP.
- 3. CONTACT RESISTANCE : 45 MILLIOHMS .
- 4. INSULATION RESISTANCE : 1000 MEGOHMS MIN. @ 500 VDC.
- 5. DIELECTRIC STRENGTH : 1000 VAC 60Hz, 1MIN.

MECHANICAL:

- 1. HOUSING MATERIAL : GLASS FILLED POLYESTER OR HIGH TEMP. UL94V-0.
- 2. CONTACT MATERIAL : PHOSPHOR BRONZE t=0.35mm.
- 3. PLATING : GOLD PLATING OVER NICKEL.
- 4. OPERATING LIFE : 750 CYCLES MIN.
- 5. PCB RETENTION PRE-SOLDER : 1 LB MIN.
- 6. PCB RETENTION POST-SOLDER : 10 LBS MIN.

ENVIRONMENTAL:

- 1. STORAGE : -40°C TO +85°C.
- 2. OPERATION : -40°C TO +85°C.

△ MATES WITH MODULAR PLUG CONFORMING TO TIA-1096-A.
PART NUMBER : N371X-038-0X

- 1- 3u" 2- 6u" 01-POLYESTER BK.
- 3-15u" 4-30u" 02-HIGH TEMP BK.
- 5-50u" △03-POLYESTER GREEN

△ X2		ADD NEW P/N.	DORIS	081814'	
△ X1		UPDATE DRAWING	PETER	071210	
△ X0	000000	NEW DESIGN	YANG	122109	
MARK	ECN-NO.	REVISION RECORD	DRAWN	DATE	
 Contact Technology Co., Ltd.		UNLESS OTHERWISE SPECIFIED TOLERANCE	SCALE	CHECKED	
		Dimension Range	Tolerance	2/1	
		X.X	±0.20	UNIT	APPROVED
		X.XX	±0.15	mm	
X.XXX	±0.10	SIZE	A3		
Material/Plated/Notes		ANGLE	±5°		
SEE NOTE		SIDE ENTRY RJ45 JACK W/O Ferrite			
PART NO.		SEE NOTE		REV.	
TOOLING NO.		DOC. NO.		2	
		NN370A038			