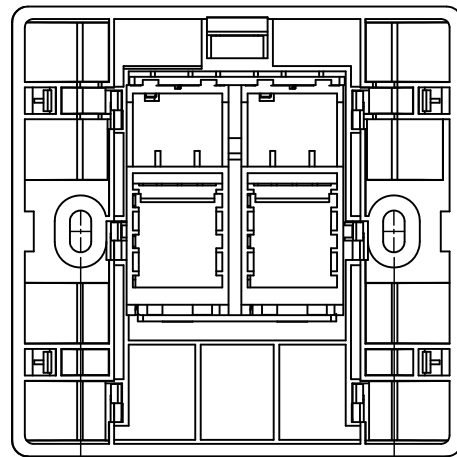
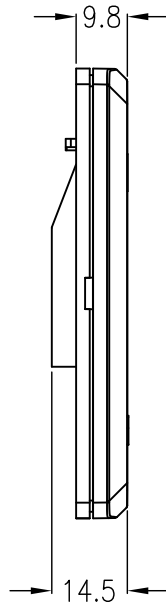


RoHS

THIS IS A RoHS
COMPLIANT
COMPONENT/
PRODUCT.

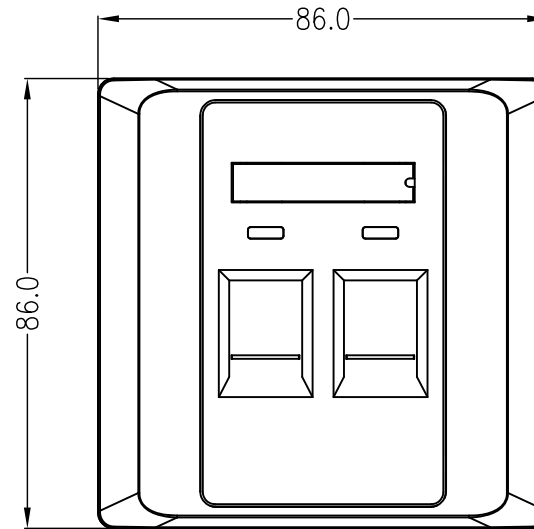


60.0



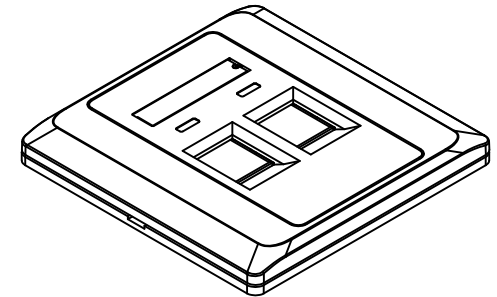
9.8

14.5



86.0

86.0



NOTES:

1. MATERIAL : PC .
2. BURR : 0.05mm MAX.
3. PART NUMBER: N471Y-054-02

	0069000	NEW DESIGN	SELINA	121422'	
MARK	ECN-NO.	REVISION RECORD	DRAWN	DATE	
		UNLESS OTHERWISE SPECIFIED TOLERANCE	SCALE	CHECKED	
		Dimension Range Tolerance	1/1		
		X.X	±0.15	UNIT	APPROVED
		X.XX	±0.10	mm	
Contact Technology Co., Ltd.		X.XXX	±0.05	SIZE	
Material/Plated/Notes		ANGLE	±1°	A3	
SEE NOTE		WALL PLATE, 2 PORTS			
Tooling No.		PART NO.	N471Y-054-0X	REV.	
		DOC. NO.	NN471A054	A	