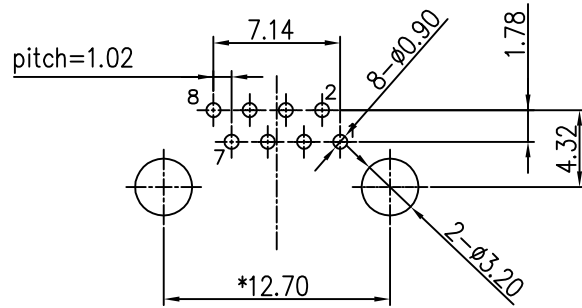
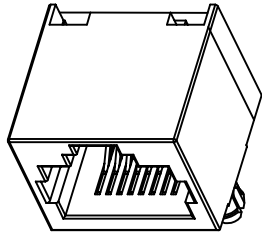
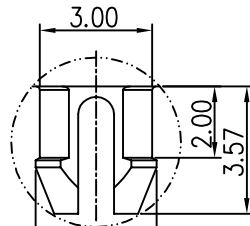
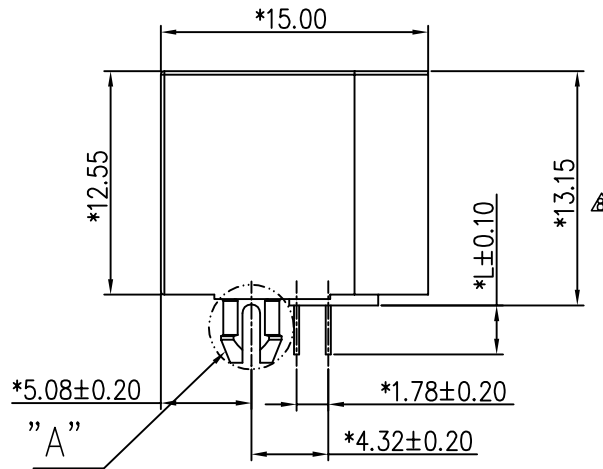
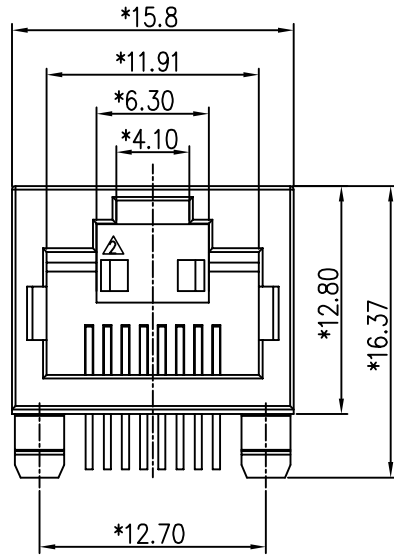


RoHS

THIS IS A RoHS COMPLIANT COMPONENT/PRODUCT.



PCB Layout
Component Side Shown



DETAIL "A"
SCALE 2:1

NOTES:

ELECTRICAL:

1. VOLTAGE RATING : 125 VAC.
2. CURRENT RATING : 1.5 AMP.
3. CONTACT RESISTANCE : 30 MILLIOHMS MAX.
4. INSULATION RESISTANCE: 1000 MEGOHMS MIN. @ 500 VDC.
5. DIELECTRIC STRENGTH : 1000 VAC 60Hz, 1MIN.
- △ 6. OPERATING: 1500 CYCLES MIN.

MECHANICAL:

1. HOUSING MATERIAL : HIGH TEMP. UL94V-0.
2. CONTACT MATERIAL : PHOSPHOR BRONZE t=0.35 mm.
3. PLATING : GOLD PLATING OVER NICKEL.
4. PCB RETENTION PRE-SOLDER : 1 LB MIN.
5. PCB RETENTION POST-SOLDER: 10 LBS MIN.

ENVIRONMENTAL:

1. STORAGE : -40°C TO +85°C.
2. OPERATION: : -40°C TO +85°C.
3. WAVE SOLDERING TEMPERATURE: 255~265°C (5~10 SECONDS)

△△MATES WITH MODULAR PLUG CONFORMING TO TIA-1096-A.

PART NUMBER: N3J1X-142-XX

- 1-3u" 2-6u"
- 3-15u" 4-30u"
- 5-50u" 7-1u" min△

- △ 01-FR52 BK. L=2.75
- △ 02-FR52 YL(114C). L=2.75
- △△ 03-FR52 GREEN(347C) L=2.75
- △ 04-FR52 RED L=2.75
- △ 05-PA9T BK. L=2.75
- △ 06-FR52 BK. L=3.50
- △ 07-FR52 GREEN(381U) L=2.75
- △ 08-FR52 BK 8P6C.L=2.75
- △ 09-PBT RED(032C) L=2.75
- △ 10-PBT BK L=2.75^{+0.20}_{-0.20}

△ X0	000000	ADD NEW P/N	SOULE	110819'
MARK	ECN-NO.	REVISION RECORD	DRAWN	DATE
	UNLESS OTHERWISE SPECIFIED TOLERANCE		SCALE	CHECKED
	Dimension Range	Tolerance	1/1	APPROVED
	X.X	±0.20	UNIT	
	X.XX	±0.15	mm	
X.XXX	±0.10	SIZE	A3	SHEET 1/1
ANGLE	±5°			
Material/Plated/Notes		NAME		
SEE NOTE		1X1 RJ45 JACK, UTP		
Part No.		PART NO.	SEE NOTE	REV. A
Doc. No.		DOC. NO.	NN3J0A142	