

RoHS
THIS IS A RoHS COMPLIANT COMPONENT/PRODUCT.

DATE CODE
YEAR/MONTH/WEEK

XXXXXX

Cat.5e Logo

Cat.5e

NOTES:

ELECTRICAL :

1. Voltage Rating : 125 Vac.
2. Current Rating : 1.5 A.
3. Contact Resistance : 60 Milliohms Max.
4. Insulation Resistance: 1000 MegOhms Min. @500 Vdc.
5. Dielectric Strength : 1000 Vac 60Hz, 1Min.

MECHANICAL :

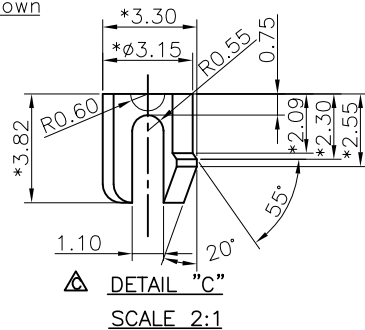
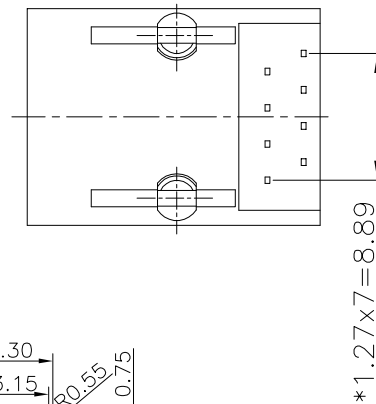
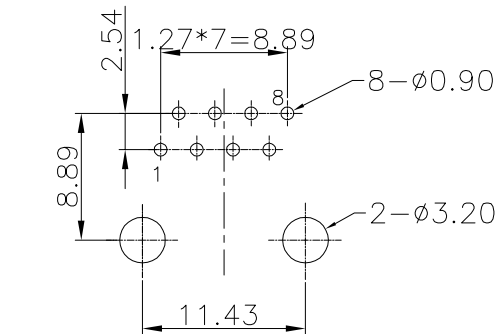
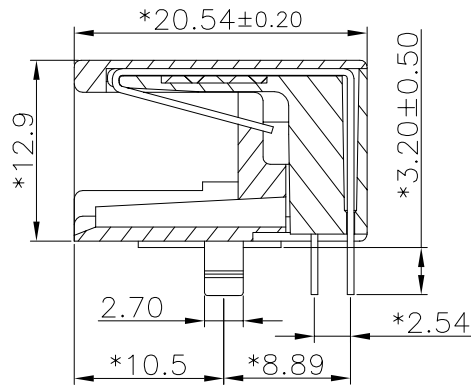
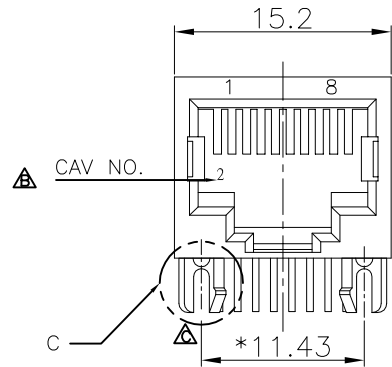
1. Housing : High Temp. UL 94V-0.
2. PCB : FR-4, 0.5mm Thickness.
3. Contact : Phosphor Bronze t=0.35 mm.
Selective Gold Plating Over 50u" Nickel.
4. Operating Life : 750 Cycles Min.

ENVIRONMENTAL :

1. Storage : -40°C To +85°C.
2. Operation : -40°C To +85°C.

Mates With Modular Plug Conforming To FCC Part 68, Subpart F.
PART NUMBER : N391X-033-0X

- 1-3u" 2-6u" 1-HOUSING FR52 BK.
INSTER PBT BK.
- 3-15u" 4-30u" 2-HOUSING FR52 BK.
INSTER FR52 BK.
- 5-50u" 7-GOLD FLASH 3-HOUSING PA9T BK.
INSTER FR52 BK.
- 4-HOUSING FR52 BK.
INSTER FR52 BK. W/O DATE CODE
- 5-HOUSING PBT BK.
INSTER PBT BK. W/O DATE CODE
- 6-PA6T RED(485U).W/Cat.5e Logo
- 7-PA66 BLUE(285C).W/Cat.5e Logo



| | | | | |
|------|---------|-------------------|-------|---------|
| △ X2 | | ADD NEW P/N. | Linda | 101822' |
| △ X1 | | ADD NEW P/N. | Joy | 042121' |
| △ X1 | | ADD NEW P/N. | ANDY | 031921' |
| △ X1 | | ADD NEW P/N. | JAMES | 032019' |
| △ X1 | | ADD NEW P/N. | DORIS | 020116' |
| △ X1 | | ADD P/N | ROCK | 090910' |
| △ X1 | | MODIFY NOTES | YANG | 030410 |
| △ X1 | | MODIFY POST | MAGIC | 090108 |
| △ X2 | | UPDATE DRAWING(1) | SAIL | 080108 |
| △ X0 | 0069000 | NEW DESIGN | Frank | 112007 |
| MARK | ECN-NO. | REVISION RECORD | DRAWN | DATE |

| | | | |
|--|--|---|---|
| Contact Technology Co., Ltd. Material/Plated/Notes | UNLESS OTHERWISE SPECIFIED TOLERANCE Dimension Range Tolerance X.X ±0.20 X.XX ±0.15 X.XXX ±0.10 ANGLE ±5° | SCALE 2:1 UNIT mm SIZE A3 | CHECKED APPROVED SHEET 1/1 |
| | SEE NOTE | CAT.5e SIDE ENTRY PCB JACK | PART NO. SEE NOTE DOC. NO. NN390A033 |