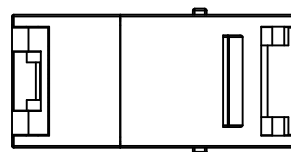
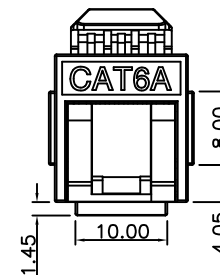
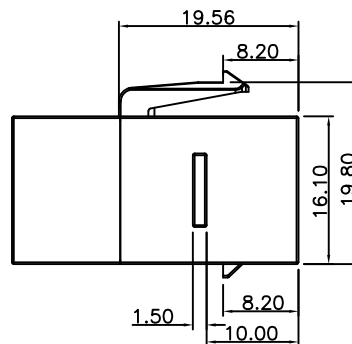
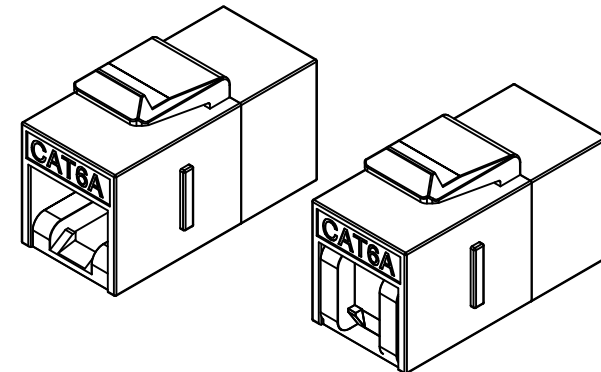
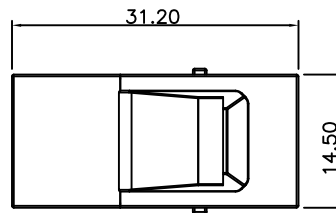


RoHS

THIS IS A RoHS COMPLIANT COMPONENT/PRODUCT.



NOTES:

ELECTRICAL:

1. VOLTAGE RATING: 125 VAC RMS.
2. CURRENT RATING: 1.5 AMP.
3. CONTACT RESISTANCE: 100 MILLIOHMS MAX.
4. INSULATION RESISTANCE: 1000 MEGOHMS MIN @ 500 VDC.
5. DIELECTRIC STRENGTH: 750 VAC RMS 60Hz,1MIN.

ENVIRONMENTAL:

1. STORAGE: -40°C TO +85°C.
2. OPERATION: -40°C TO +85°C.

MECHANICAL:

1. HOUSING MATERIAL: PLASTIC UL94V-0
2. INSERT MATERIAL: PLASTIC UL94V-0
3. PCB MATERIAL: FR-4
4. CONTACT MATERIAL: PHOSPHOR BRONZE
5. SPRING MATERIAL: SPRING STEEL
6. PART NUMBER: N446X-041-0X

1-3u" 2-6u" 01: C6A WHITE
 3-15u" 4-30u"
 5-50u"

△X0	000000	NEW DESIGN		LONNY	040723'
MARK	ECN-NO.	REVISION RECORD		DRAWN	DATE
	UNLESS OTHERWISE SPECIFIED TOLERANCE		SCALE	CHECKED	
	Dimension Range	Tolerance	1:1	APPROVED	
	X.X	±0.20	UNIT	mm	
	X.XX	±0.15	SIZE	A3	
Contact Technology Co., Ltd.		X.XXX	±0.10	ANGLE	±5°
Material/Plated/Notes		NAME			
SEE NOTE		CAT.6A COUPLER W/ DUST COVER			
Tooling No.		PART NO.		REV.	
		SEE NOTE		0	
		DOC. NO.		NN446A041	