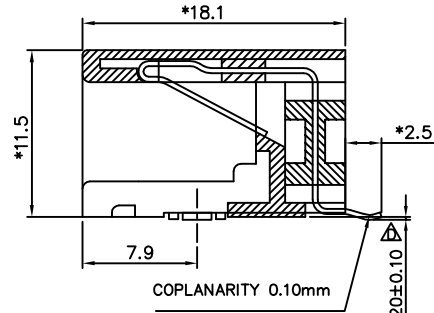
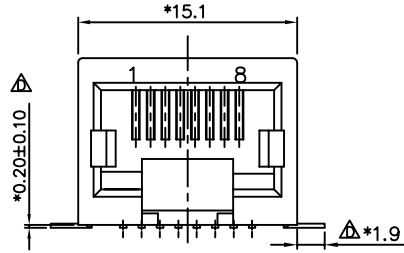
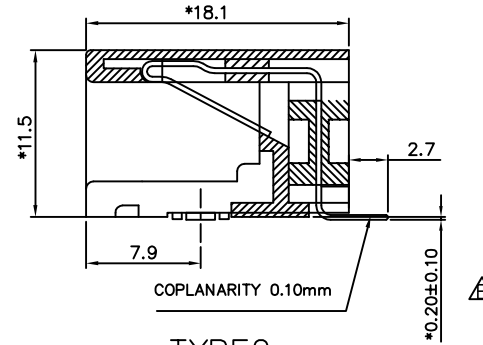




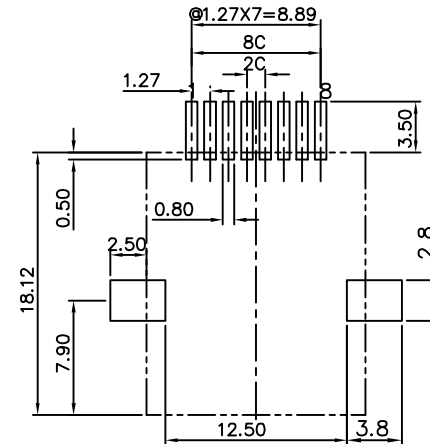
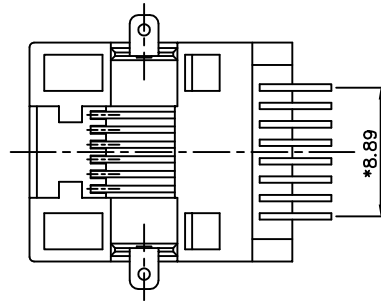
THIS IS A RoHS COMPLIANT COMPONENT/PRODUCT.



TYPE1



TYPE2



PC BOARD LAYOUT
COMPONENT SIDE SHOWN

NOTES:

ELECTRICAL:

- VOLTAGE RATING : 125 VAC.
- CURRENT RATING : 1.5 AMP.
- CONTACT RESISTANCE : 35 MILLIOHMS MAX.
- INSULATION RESISTANCE : 1000 MEGOHMS MIN. @ 500 VDC.
- DIELECTRIC STRENGTH : 1000 VAC 60Hz, 1MIN.

MECHANICAL:

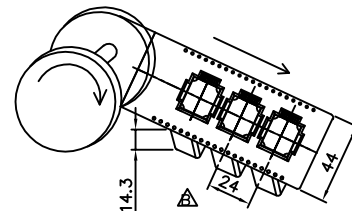
- HOUSING MATERIAL : HIGH TEMP. UL94V-0 BK.
- CONTACT MATERIAL : PHOSPHOR BRONZE t=0.35mm.
- PLATING : GOLD PLATING OVER NICKEL.
- OPERATING LIFE : 750 CYCLES MIN.
- PCB RETENTION POST-SOLDER : 10 LBS MIN.

ENVIRONMENTAL:

- STORAGE : -40°C TO +85°C.
 - OPERATION : -40°C TO +85°C.
 - REFLOW SOLDERING TEMP. : 255°C~265°C (5~10 SECONDS).
- MATES WITH MODULAR PLUG CONFORMING TO TIA-1096-A.

PART NUMBER : N331X-009-QX

- | | | |
|--------|--------------|-----------------------------|
| 1-3u" | 2-6u" | 01-8P8C HIGH TEMP BK. TYPE1 |
| 3-15u" | 4-30u" | 02-8P2C HIGH TEMP BK. TYPE1 |
| 5-50u" | 7-GOLD FLASH | 03-8P8C HIGH TEMP BK. TYPE2 |
| | | 04-8P2C HIGH TEMP BK. TYPE2 |



△X 3		ADD P/N(2)增加平腳式樣	SOULE	101519'
△X 3		MODIFY DRAWING	ROCK	061212'
△X 1		ADD NEW P/N	YANG	080409
△X 2		MODIFY DESIGN	YANG	121608
△X 0	000000	NEW DESIGN	LINGER	102706
MARK	ECN-NO.	REVISION RECORD	DRAWN	DATE

CTK	UNLESS OTHERWISE SPECIFIED TOLERANCE	SCALE	CHECKED
	Dimension Range Tolerance	2.5/1	APPROVED
	X.X ±0.20	UNIT	
X.XX ±0.15	mm	SIZE	A3
X.XXX ±0.10			
ANGLE	±5°		
Material/Plated/Notes		NAME	
SEE NOTE		SIDE ENTRY 8P SMT JACK PEG OUT	
Tooling No.	PART NO.	SEE NOTE	REV.
	DOC. NO.	NN330A009	E