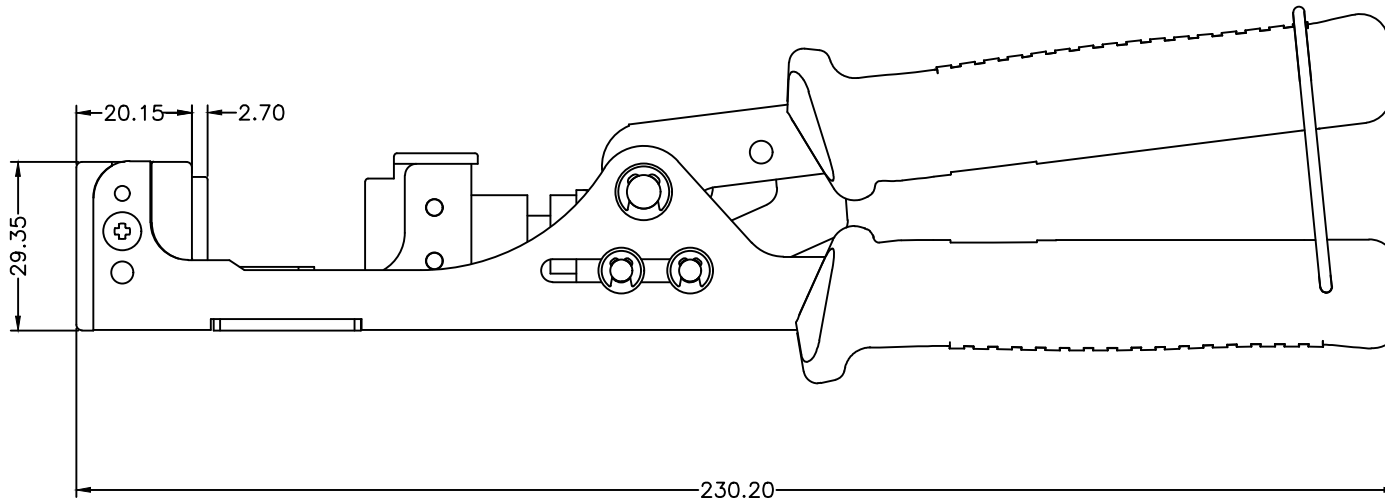
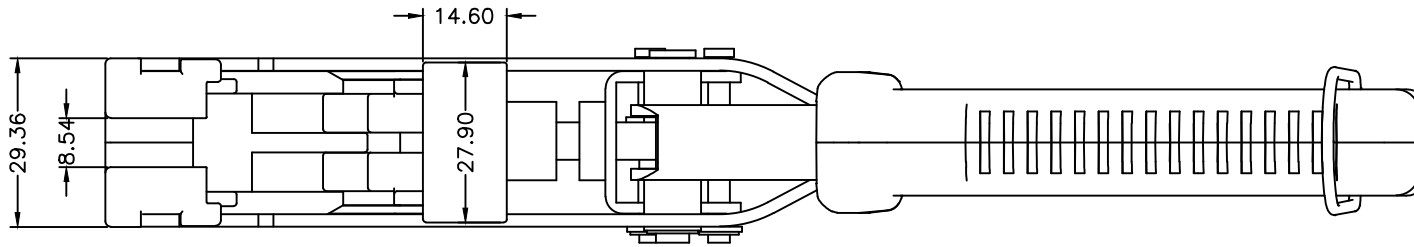


RoHS


THIS IS A RoHS COMPLIANT COMPONENT/ PRODUCT.



NOTES:

1.MATERIAL: 65Mn Steel, PC,PP

2. PART NUMBER:N425Y-013-01

MARK	ECN-NO.	NEW DESIGN	SELINA	073021'	
REVISION RECORD		DRAWN		DATE	
 Contact Technology Co., Ltd. Material/Plated/Notes		UNLESS OTHERWISE SPECIFIED TOLERANCE	SCALE	CHECKED	
		Dimension Range	Tolerance	1/1	
		X.X	±0.20	UNIT	APPROVED
		X.XX	±0.15	mm	
X.XXX	±0.10	SIZE	A3	SHEET	
ANGLE	±5°			1/1	
SEE NOTE		NAME Keystone Termination Tool			
PART NO.		N425Y-013-0X		REV.	
DOC. NO.		NN425A013		A	