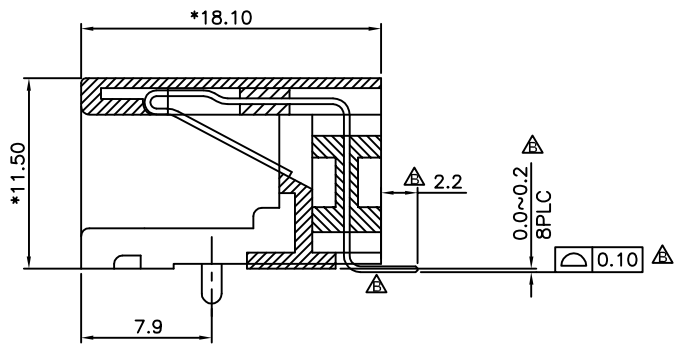
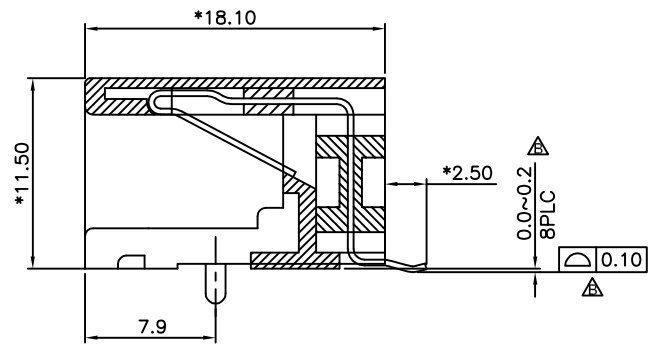
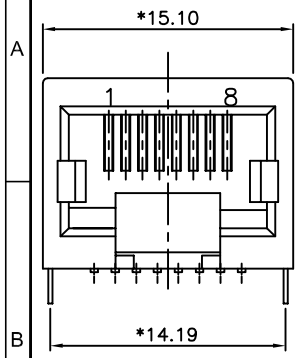


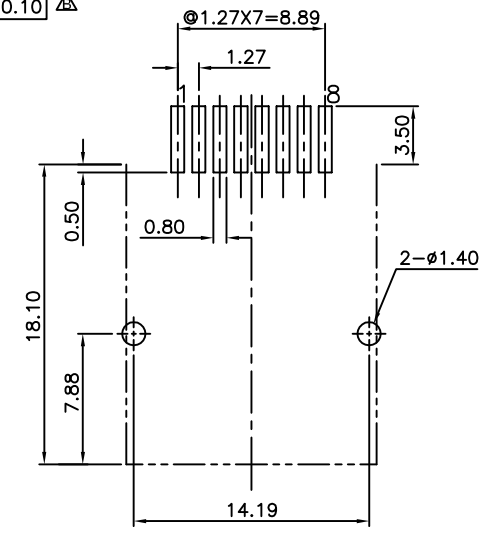
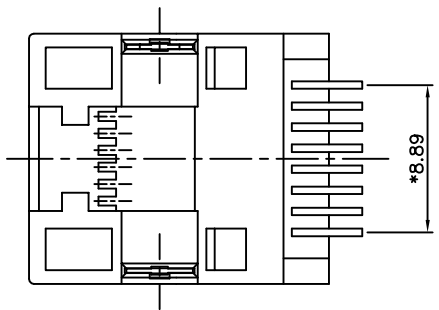


THIS IS A RoHS COMPLIANT COMPONENT/PRODUCT.



TYPE 1

TYPE 2



PC BOARD LAYOUT
COMPONENT SIDE SHOWN

NOTES:

ELECTRICAL:

- 1. VOLTAGE RATING : 125 VAC RMS.
- 2. CURRENT RATING : 1.5 AMP.
- 3. CONTACT RESISTANCE : 35 MILLIOHMS MAX.
- 4. INSULATION RESISTANCE : 1000 MEGOHMS MIN. @ 500 VDC.
- 5. DIELECTRIC STRENGTH : 1000 VAC RMS 60Hz, 1MIN.

MECHANICAL:

- 1. HOUSING MATERIAL : HIGH TEMP. UL94V-0 BK.
- 2. INSERT : HIGH TEMP. UL94V-0 BK.
- 3. CONTACT MATERIAL : PHOSPHOR BRONZE t=0.35mm.
- 4. PLATING : GOLD PLATING OVER NICKEL.
- 5. OPERATING LIFE : 750 CYCLES MIN.
- 6. PCB RETENTION POST-SOLDER : 10 LBS MIN.

ENVIRONMENTAL:

- 1. STORAGE : -40°C TO +85°C.
- 2. OPERATION : -0°C TO +85°C.

MATES WITH MODULAR PLUG CONFORMING TO FCC PART 68, SUBPART F.

PART NUMBER : N331X-002-XX

- 1-3u" 2-6u" 01 L=2.50 TYPE1
- 3-15u" 4-30u" 02 L=2.20 TYPE2
- 5-50u"

△ X7		UPDATE DIMENSION	JOY	032919	
△ X0	000000	NEW DESIGN	LINGER	102706	
MARK	ECN-NO.	REVISION RECORD	DRAWN	DATE	
 Contact Technology Co., Ltd.		UNLESS OTHERWISE SPECIFIED TOLERANCE	SCALE 3/1	CHECKED	
		Dimension Range Tolerance	UNIT	APPROVED	
		X.X	±0.20	mm	
		X.XX	±0.15		
X.XXX	±0.10	SIZE	A3	SHEET 1/1	
ANGLE	±5°	NAME SIDE ENTRY 8P8C SMT JACK PEG DIP			
Material/Plated/Notes		NAME			
SEE NOTE		PART NO. SEE NOTE			
Tooling No.		DOC. NO. NN330A002		REV. B	