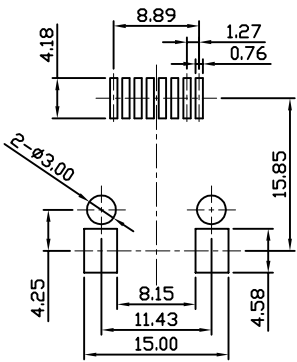
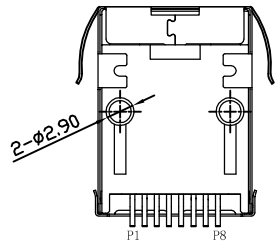
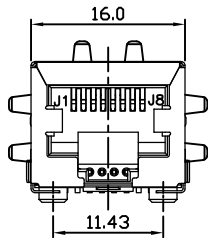
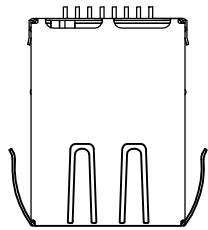
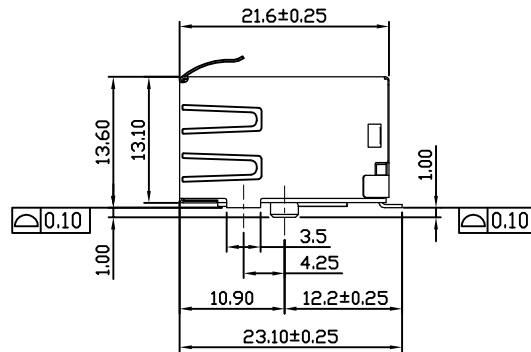


RoHS

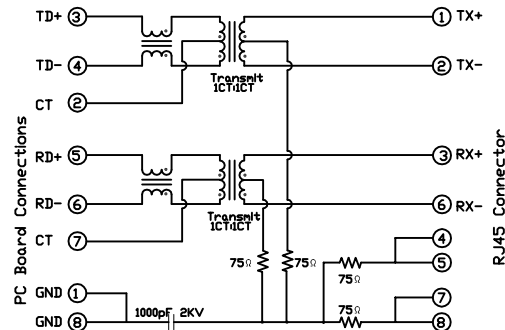
THIS IS A RoHS COMPLIANT COMPONENT/PRODUCT.



PC Board Layout Component Side Shown



Schematic:



TYPE 11

Notes:

Characteristics Description:

1. RJ45 10/100 Transformer Jack With Transformer Impedance Resistor/High Voltage Capacitor.
2. Size Same As RJ-45 Modular Jack To Save PCB Space.
3. Reduce EMI Radiation, Improve EMI Performance.
4. Designed For Network Interface Card Application.
5. Designed To Meet IEEE 802.3u Requirement.

Electrical Specifications:

1. Inductance At 100 KHz, 100 mV 8mADC Bias: 350 uH Min.
2. Leakage Inductance 0.3 uH Max. @100KHz 100mV
3. Insertion Loss: 1.1 dB Max. @ 1-100 MHz
4. Return Loss: 18dB Min. @1-30MHz  
16dB Min. @ 30-60MHz  
12dB Min. @ 60-80MHz
5. Cross Talk: 1-100MHz 30dB Min.
6. Common Mode Rejection: 30dB Min. @1-100MHz
7. Isolation Voltage @60Hz:1500Vrms(Input To Output) 60 Seconds

Mechanical:

1. Housing Material:High Temperature< UL94V-0)
2. Insert Material:High Temperature< UL94V-0)
3. Contact Mateial:Phosphor Bronze t=0.35mm.
4. Plating:Contact Area- Gold Plating.  
Tails- 150u" Tin Min. Over 50u" Nickel.
5. Shield Material:Brass C2680 50u" Nickel Plating t=0.2mm.
6. Operating Life:750 Cycles Min.

Environmental:

1. Storage :-40°C To+85°C.
2. Operation:-40°C To+85°C.
3. Wave Soldering Temperature:255~265°C (5~10 Seconds)

Mates With Modular Plug Conforming To TIA-1096-A

Part Number: K3T1X-034-XX

1-3u" 2-6u" 3-15u"  
4-30u" 5-50u" 7-G/F

14:HIGH TEMP BK W/ EMI TYPE11

|   |         |                                      |           |           |
|---|---------|--------------------------------------|-----------|-----------|
| △ X0  | 0069000 | NEW REVISION                         | Andy      | 110921    |
| MARK  | ECN-NO. | REVISION RECORD                      | DRAWN     | DATE      |
| <br>Contact Technology Co., Ltd.<br>Material/Plated/Notes |         | UNLESS OTHERWISE SPECIFIED TOLERANCE | SCALE     | CHECKED   |
|   |         | Dimension Range   Tolerance          | 1/1       | APPROVED  |
|   |         | X.X ±0.20 UNIT                       | mm        |           |
|   |         | X.XX ±0.15                           | mm        |           |
|   |         | X.XXX ±0.10                          | SIZE      | A3        |
|   |         | ANGLE ±5°                            |           | SHEET 1/1 |
| SEE NOTE  |         | NAME                                 |           |           |
|   |         | 1*1 Transformer Jack STP             |           |           |
| Tooling No.   |         | PART NO.                             | REV.      |           |
|   |         | K3T1X-034-0X                         | 0         |           |
|   |         | DOC. NO.                             | KK3T0A034 |           |