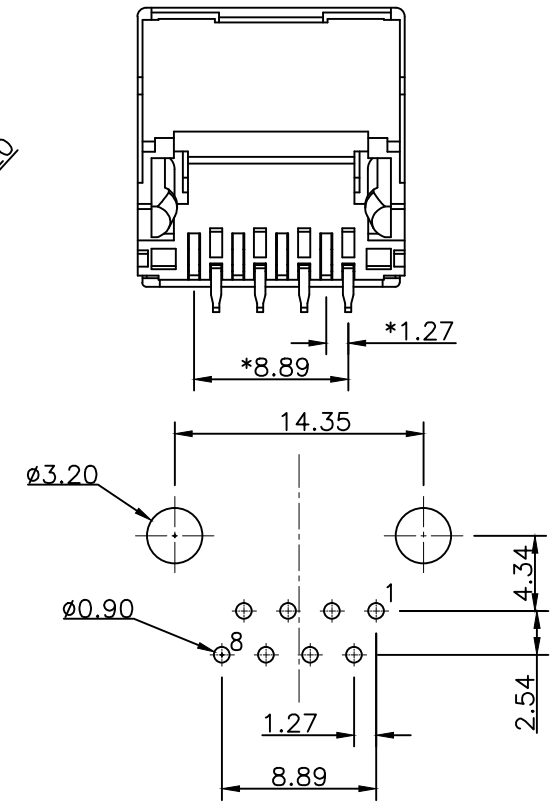
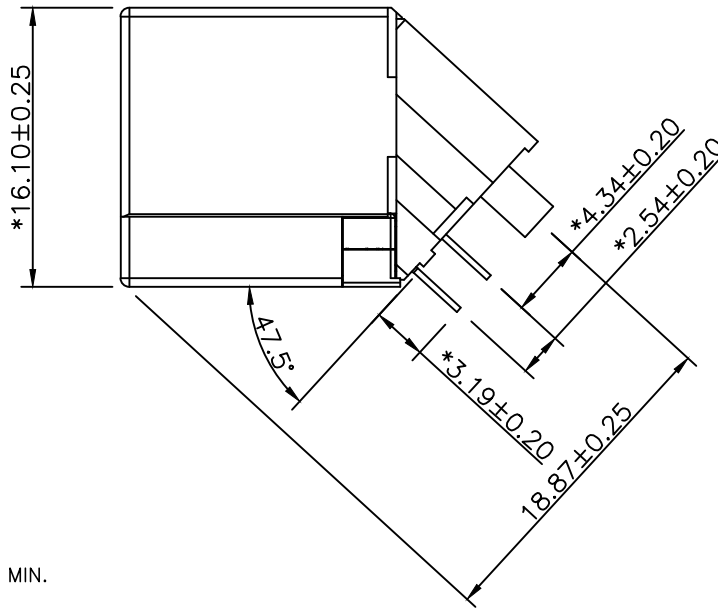
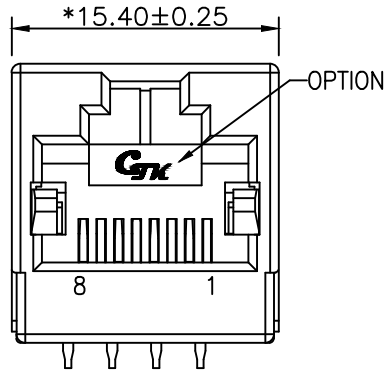


RoHS

THIS IS A RoHS COMPLIANT COMPONENT/PRODUCT.



PC Board Layout t=1.6mm
Component Side Show

NOTES:

ELECTRICAL:

- 1. VOLTAGE RATING : 125 VAC.
- 2. CURRENT RATING : 1.5 AMP.
- 3. CONTACT RESISTANCE : 35 MILLIOHMS MAX.
- 4. INSULATION RESISTANCE : 1000 MEGOHMS @ 500 VDC. MIN.
- 5. DIELECTRIC STRENGTH : 1000 VAC 60Hz, 1MIN.

MECHANICAL:

- 1. HOUSING MATERIAL : GLASS FILLED POLYESTER OR HIGH TEMP. UL94V-0.
- 2. CONTACT MATERIAL : PHOSPHOR BRONZE T=0.35mm.
- 3. PLATING : SELECTIVE GOLD PLATING OVER NICKEL.
- 4. OPERATING LIFE : 750 CYCLES MIN.
- 5. PCB RETENTION PRE-SOLDER : 1 LB MIN.
- 6. PCB RETENTION POST-SOLDER : 10 LBS MIN.

ENVIRONMENTAL:

- 1. STORAGE : -40°C TO +85°C
- 2. OPERATION : -40°C TO +85°C.

MATES WITH MODULAR PLUG CONFORMING TO FCC PART 68, SUBPART F.

PART NUMBER: N371X-025-XX

- 1-3u" 2-6u" 3-15u" 4-30u" 5-50u"
- 01-POLYESTER W/O LOGO
- 02-HIGH TEMP. W/O LOGO
- 03-POLYESTER W/ LOGO
- 04-HIGH TEMP. W/ LOGO
- 05-PA9T HIGH TEMP. (Proprietary customers)

△X2		UPDATE DRAWING	TYLER	050619'	
△X0		UPDATE DRAWING	HENRY	033019'	
△X0	000000	NEW DESIGN	YANG	040909	
MARK	ECN-NO.	REVISION RECORD	DRAWN	DATE	
 Contact Technology Co., Ltd.		UNLESS OTHERWISE SPECIFIED TOLERANCE		SCALE	
		Dimension Range	Tolerance	1.25/1	
		X.X	±0.20	UNIT	APPROVED
		X.XX	±0.15	mm	
X.XXX	±0.10	SIZE	A3	SHEET 1/1	
Material/Plated/Notes		ANGLE	±5°		
SEE NOTE		CAT.6 MODULAR JACK 47.5' UTP			
Tooling No.		PART NO.	SEE NOTE	REV. 1	
		DOC. NO.	NN370A025		