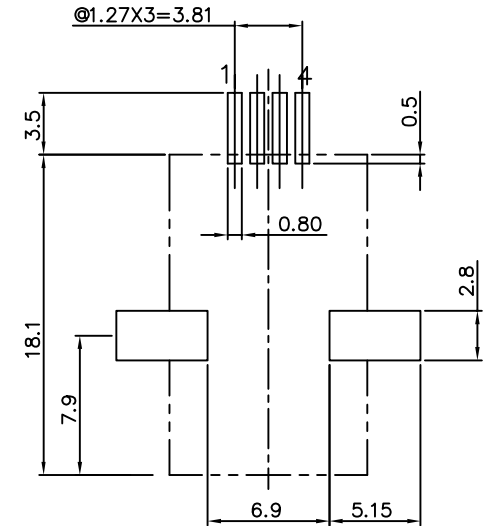
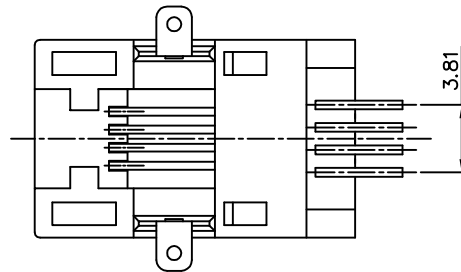
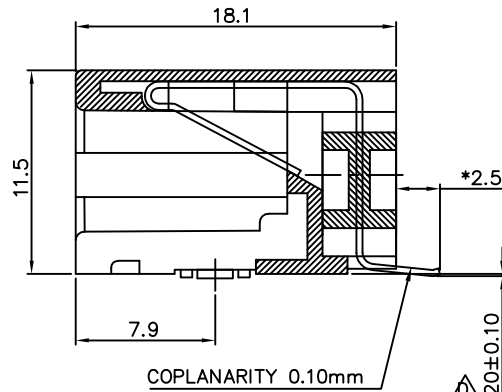
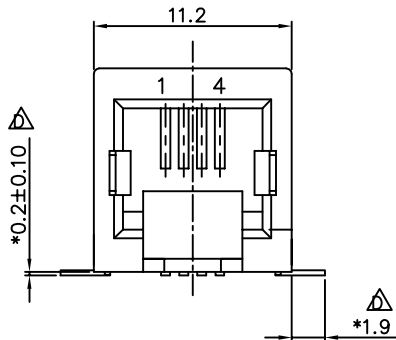


RoHS

THIS IS A RoHS COMPLIANT COMPONENT/PRODUCT.



PC Board Layout  
Component Side Shown

**NOTES:**

**ELECTRICAL:**

- 1. VOLTAGE RATING : 125 VAC.
- 2. CURRENT RATING : 1.5 AMP.
- 3. CONTACT RESISTANCE : 35 MILLIOHMS MAX.
- 4. INSULATION RESISTANCE : 1000 MEGOHMS MIN. @ 500 VDC.
- 5. DIELECTRIC STRENGTH : 1000 VAC 60Hz, 1MIN.

**MECHANICAL:**

- 1. HOUSING MATERIAL : HIGH TEMP. UL94V-0, COLOUR-BK.
- 2. CONTACT MATERIAL : PHOSPHOR BRONZE t=0.35mm.
- 3. PLATING : GOLD PLATING OVER NICKEL.
- 4. OPERATING LIFE : 750 CYCLES MIN.
- 5. PCB RETENTION POST-SOLDER : 10 LBS MIN.

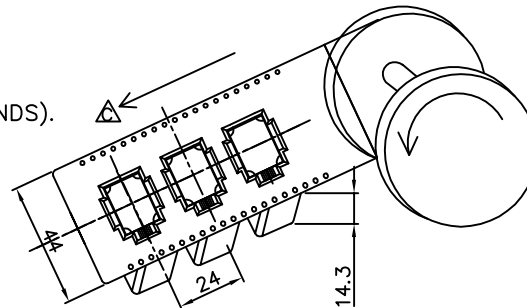
**ENVIRONMENTAL:**

- 1. STORAGE : -40°C TO +85°C.
- 2. OPERATION TEMPERATURE : -40°C TO +85°C.
- 3. REFLOW SOLDERING TEMPERATURE : 255°C~265°C (5~10 SECONDS).

MATES WITH MODULAR PLUG CONFORMING TO FCC PART 68, SUBPART F.

PART NUMBER : N331X-007-01

- 1- 3u" 2-6u"
- 3-15u" 4-30u"
- 5-50u"



△X3		MODIFY DRAWING	ROCK	061212'	
△X1		DESIGN MODIFY	QUAN	111711'	
△X1		DESIGN MODIFY	YANG	031809	
△X0	0000000	NEW DESIGN	LINGER	122706	
MARK	ECN-NO.	REVISION RECORD	DRAWN	DATE	
		UNLESS OTHERWISE SPECIFIED TOLERANCE		SCALE	CHECKED
		Dimension Range   Tolerance		1.25/1	
		X.X	±0.20	UNIT	APPROVED
		X.XX	±0.15	mm	
Contact Technology Co., Ltd.		X.XXX	±0.10	SIZE	A3
Material/Plated/Notes		ANGLE	±5°		
SEE NOTE		RJ11 SMT JACK PEG OUT			
PART NO.		SEE NOTE		REV.	
DOC. NO.		NN330A007		D	