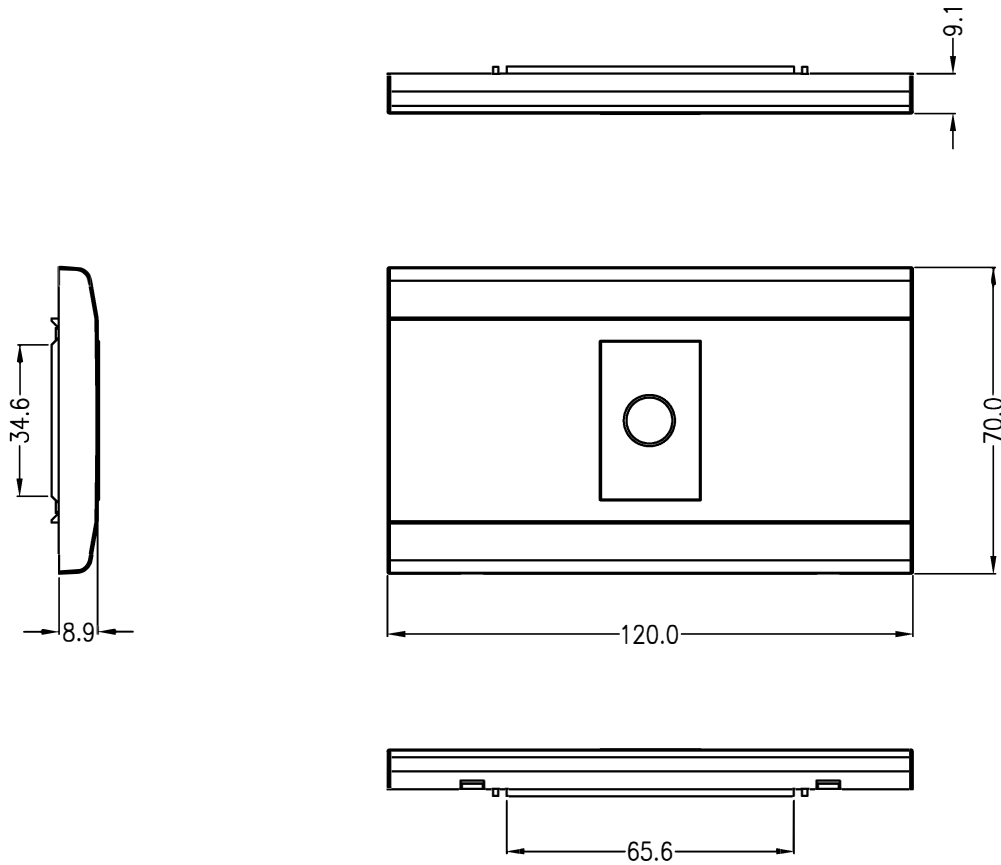



RoHS

THIS IS A RoHS
COMPLIANT
COMPONENT/
PRODUCT.



NOTES:

- 1. MATERIAL : ABS WHITE.
- 2. BURR : 0.05mm MAX.
- 3. PART NUMBER: N471Y-080-01

MARK	0069000	NEW DESIGN	SELINA	072122'
ECN-NO.		REVISION RECORD	DRAWN	DATE
 Contact Technology Co., Ltd. Material/Plated/Notes SEE NOTE	UNLESS OTHERWISE SPECIFIED TOLERANCE	SCALE	CHECKED	
	Dimension Range Tolerance	1/1	APPROVED	
	X.X ±0.15	UNIT	mm	
	X.XX ±0.10	SIZE	A3	SHEET 1/1
X.XXX ±0.05	ANGLE	±1°		
NAME		WALL PLATE, TV		
Tooling No.		PART NO.	N471Y-080-01	REV. A
		DOC. NO.	NN471A080.	