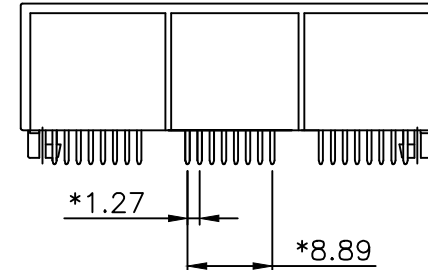
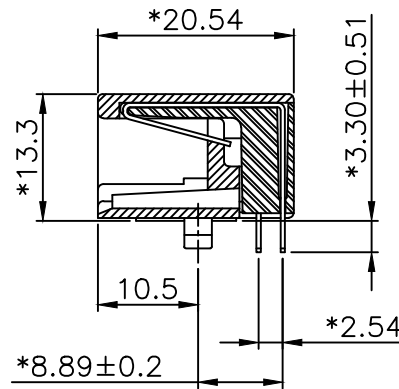
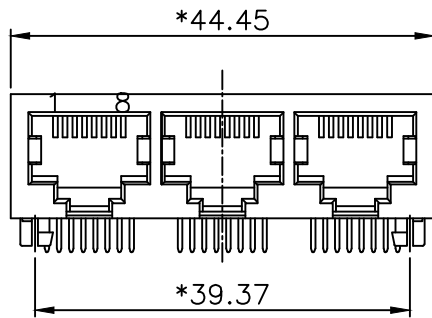


RoHS

THIS IS A RoHS
COMPLIANT
COMPONENT/
PRODUCT.



NOTES:

ELECTRICAL:

- 1. VOLTAGE RATING : 125 VAC RMS MIN.
- 2. CURRENT RATING : 1.5 AMP MIN.
- 3. CONTACT RESISTANCE : 45 MILLIOHMS MAX.
- 4. INSULATION RESISTANCE : 1000 MEGOHMS MIN. @ 500 VDC.
- 5. DIELECTRIC STRENGTH : 1000 VAC RMS 60Hz, 1MIN.

MECHANICAL:

- 1. HOUSING MATERIAL : GLASS FILLED POLYESTER OR HIGH TEMP. UL94V-0.
- 2. CONTACT MATERIAL : PHOSPHOR BRONZE t=0.35mm.
- 3. PLATING : GOLD PLATING OVER NICKEL.
- 4. OPERATING LIFE : 750 CYCLES MIN.
- 5. PCB RETENTION PRE-SOLDER : 1 LB MIN.
- 6. PCB RETENTION POST-SOLDER : 10 LBS MIN.

ENVIRONMENTAL:

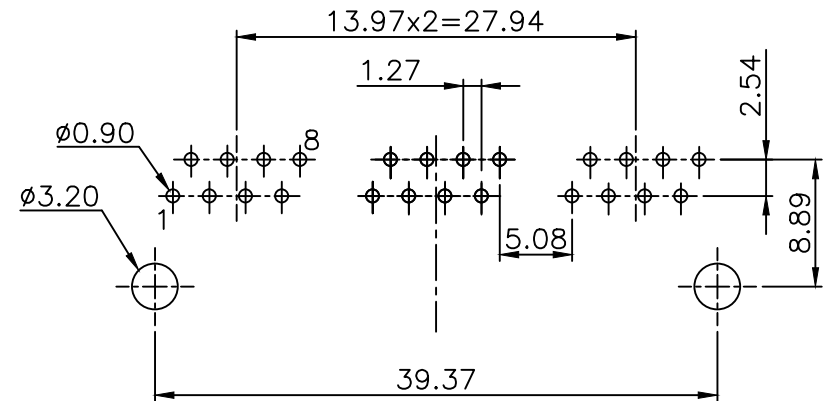
- 1. STORAGE : -40°C TO +85°C.
- 2. OPERATION : 0°C TO +70°C.

MATES WITH MODULAR PLUG CONFORMING TO FCC PART 68, SUBPART F.

PART NUMBER : N393X-006-XX

1-3u" 2-6u"
3-15u" 4-30u"
5-50u"

01-HS'G POLYESTER
02-HS'G HIGH TEMP.



PC Board Layout Component Side Shown

△ X0	000000	NEW DESIGN	LINGER	102406
MARK	ECN-NO.	REVISION RECORD	DRAWN	DATE
 Contact Technology Co., Ltd.		UNLESS OTHERWISE SPECIFIED TOLERANCE	SCALE	CHECKED
		Dimension Range Tolerance	1/1	sail
		X.X ±0.20 UNIT	APPROVED	David
		X.XX ±0.15 mm	SIZE	A3
Material/Plated/Notes		ANGLE ±5°	SHEET	1/
SEE NOTE		NAME		
PART NO. SEE NOTE		1X3 SIDE ENTRY JACK 8P8C UTP 20.57		
DOC. NO. NN390A006		REVISION		
		A		