



THIS IS A RoHS
COMPLIANT
COMPONENT/
PRODUCT.

NOTES:

ELECTRICAL:

1. VOLTAGE RATING : 150 VAC.
2. CURRENT RATING : 1.5 AMP.
3. CONTACT RESISTANCE : 40 MILLIOHMS MAX.
4. INSULATION RESISTANCE: 500 MEGOHMS MIN. @ 500 VDC.
5. DIELECTRIC STRENGTH: 750 VAC 60Hz, 1MIN.

MECHANICAL:

1. SHIELD MATERIAL : BRASS, t=0.20mm.
2. HOUSING: : LCP, UL94V-0 BK.
3. CONTACT MATERIAL : PHOSPHOR BRONZE t=0.30mm.
4. PLATING : 1). CONTACT AREA- SELECTIVE GOLD PLATING.
2). TAILS-150u" TIN-LEAD MIN. OVER 50u" NICKEL.
5. OPERATING LIFE : 500 CYCLES MIN.
6. PCB RETENTION POST-SOLDER: 10 LBS MIN.

ENVIRONMENTAL:

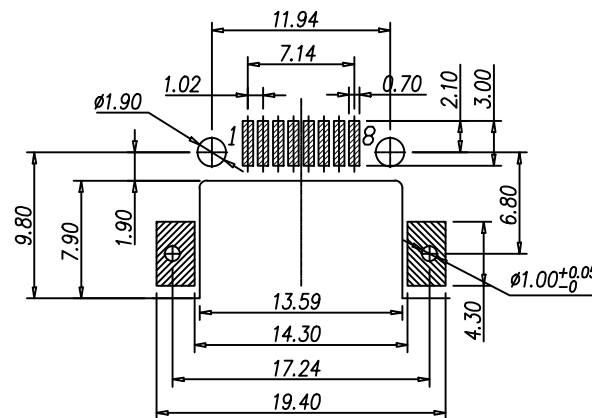
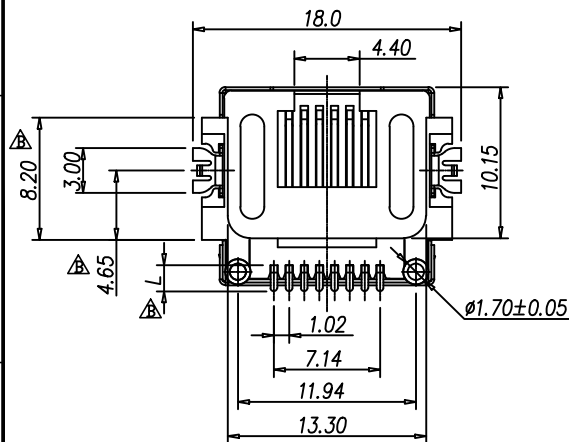
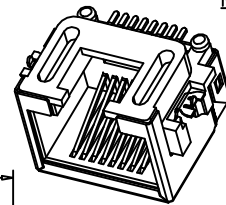
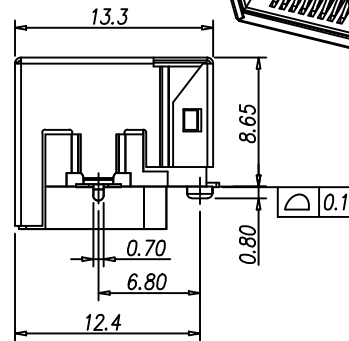
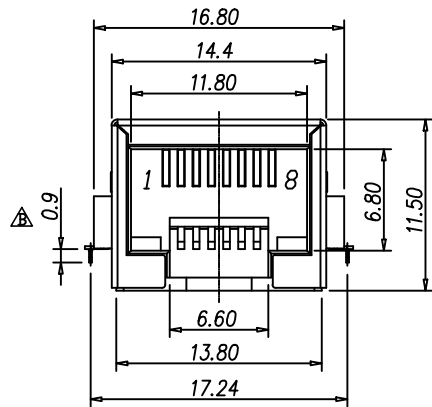
1. STORAGE : -40°C TO +85°C.
2. OPERATION : -40°C TO +85°C.
3. WAVE SOLDERING TEMPERATURE : 255~265°C (5~10 SECONDS)

MATES WITH MODULAR PLUG CONFORMING TO FCC PART 68, SUBPART F.

PART NUMBER : K331X-023-XX

- 1-3u" 4-30u"
- 2-6u" 5-50u"
- 3-15u" 7-GOLD FLASH

- 01 (Tray), L=1.75
- 02 (Tray), L=1.95+0.15/-0.35
- 03 (TAPE REEL), L=1.95+0.15/-0.35



Recommend PCB Layout
(Jack Top View)
Tolerance: ±0.05mm

△ X4		Add dimensions	Joy	102018	
△ X0	000000	NEW DESIGN	JDY	091114	
MARK	ECN-NO.	REVISION RECORD	DRAWN	DATE	
		UNLESS OTHERWISE SPECIFIED TOLERANCE	SCALE	CHECKED	
		Dimension Range	Tolerance	2/1	
		X.X	±0.20	UNIT	APPROVED
		X.XX	±0.15	mm	
X.XXX	±0.10	SIZE	A3	SHEET 1/1	
ANGLE	±5°				
Material/Plated/Notes		NAME			
SEE NOTE		RJ45 JACK SIDE ENTRY FULL SHIELD			
Tooling No.		PART NO.	SEE NOTE	REV. B	
		DOC. NO.	KK330A023		