



THIS IS A RoHS COMPLIANT COMPONENT/PRODUCT.

NOTES:

1.ELECTRICAL CHARACTERISTICS:

- 1-1.CURRENT RATING:1.5A MAX.
- 1-2.VOLTAGE RATING:150V MAX.
- 1-3.INSULATION RESISTANCE:1000MOhm MIN.
- 1-4.DIELECTRIC WITHSTANDING VOLTAGE: 1000V CONTACT TO CONTACT.
- 1-5.LED RATINGS: FORWARD VOLTAGE: 2.2 VOLTS TYPICAL. REVERSE VOLTAGE: 5 VOLTS MAXIMUM.

2.MECHANICAC CHARACTERISTICS

- 2-1.MATING FORCES: 5 POUNDS MAX. WITH LATCH DEPRESSED.
- 2-2.UNMATING FORCES: 10 POUNDS MAX. WITH LATCH DEPRESSED AT AN ADVANTAGEOUS ANGLE.
- 2-3.OPERATING TEMPERATURE:-40°C TO +85°C
- 2-4.DURABILITY:5000 CYCLES
- 2-5.MATES WITH MODULAR PLUG CONFORMING TO TIA-1096-A.SUBPART F
- 2-6. LED SIZE: 4X3.0X2.0, P=2.54mm.

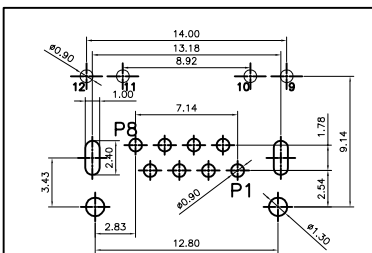
3.MATERIAL:

- 3-1.HOUSING: PA10T HF 94V-0 STAND COLOR-BLACK.
- 3-2.CONTACT:PHOSPHO-COPPER 6u" GOLD PLATING IN THE CONTACT AREA . 80~160u" TIN ON SOLDER TAILS. 30~80u" NICKEL UNDERPLATED OVER ALL
- 3-3.SHELL:STAINLESS PLATED:30~80u" NICKEL PLATED OVER ALL
- 3-4.LED:PLATED TIN

PART NO: K3J1X-049-XXH

PLATING: 1-3u" 2-6u"  
3-15u" 4-30u"  
5-50u" 7-Gold flash

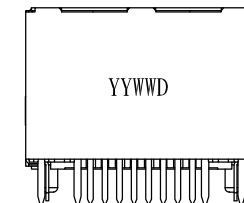
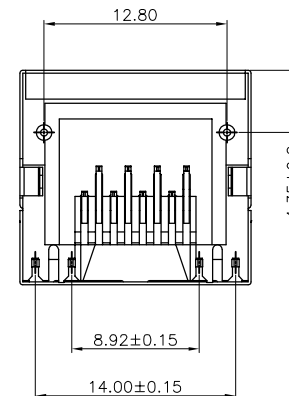
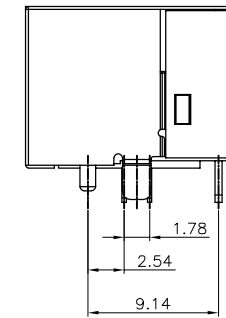
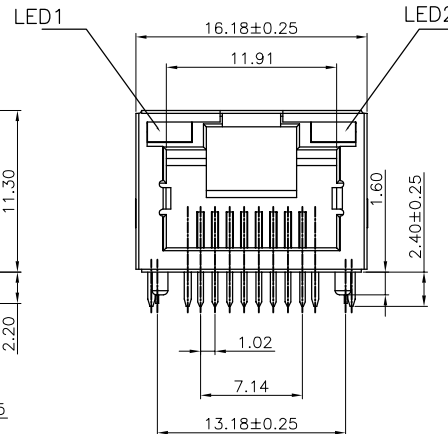
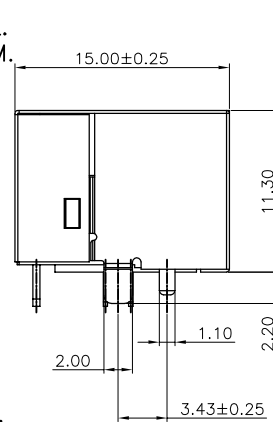
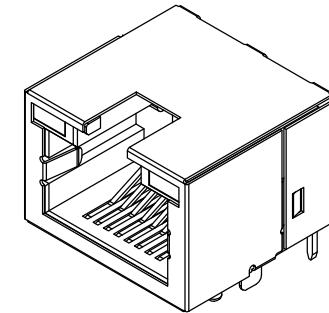
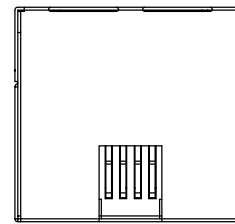
01H-HIGH TEMP LED1:YELLOW LED2:GREEN W/O DATE CODE  
02H-HIGH TEMP LED1:GREEN LED2:GREEN W/O DATE CODE  
03H-HIGH TEMP LED1:GREEN LED2:YELLOW W/O DATE CODE  
04H-HIGH TEMP LED1:YELLOW LED2:GREEN W/ DATE CODE



RECOMMENDED PCB LAYOUT(THICKNESS=1.6MM)

LED DISPLAY

PART NO.	LED1	LED2
K3J1X-049-01H	YELLOW	GREEN
K3J1X-049-02H	GREEN	GREEN
K3J1X-049-03H	GREEN	YELLOW
K3J1X-049-04H	YELLOW	GREEN



△X0	000000	NEW DESIGN	JOY	011516
MARK	ECN-NO.	REVISION RECORD	DRAWN	DATE
	UNLESS OTHERWISE SPECIFIED TOLERANCE		SCALE	CHECKED
	Dimension Range   Tolerance		1/1	APPROVED
	X.X	±0.20	UNIT	
	X.XX	±0.15	mm	
Contact Technology Co., Ltd.		X.XXX	±0.10	SIZE
Material/Plated/Notes		ANGLE	±5°	A3
SEE NOTE		RJ45 LED JACK 8P8C STP		
H.F	Tooling No.	PART NO.	SEE NOTE	REV.
		DOC. NO.	KK3J0A049	A