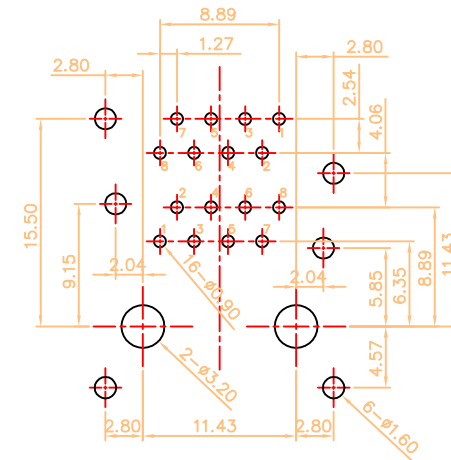
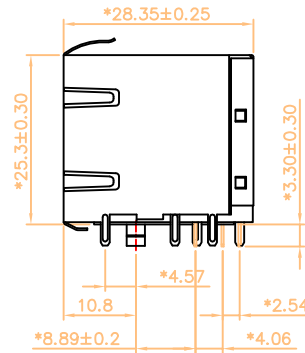
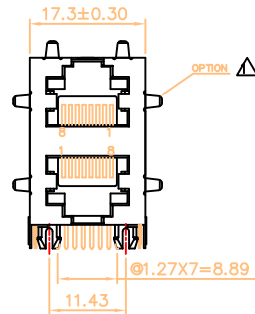




THIS IS A RoHS COMPLIANT COMPONENT/PRODUCT.



PCB Layout Component Side Shown

NOTES:

ELECTRICAL:

1. VOLTAGE RATING : 125 VAC RMS.
2. CURRENT RATING : 1.5 AMP.
3. CONTACT RESISTANCE : 50 MILLIOHMS MAX.
4. INSULATION RESISTANCE: 1000 MEGOHMS MIN. @ 500 VDC.
5. DIELECTRIC STRENGTH : 1000 VAC RMS 60Hz, 1MIN.

MECHANICAL:

1. HOUSING MATERIAL : GLASS FILLED POLYESTER OR HIGH TEMP. UL94V-0.
- INSERT MATERIAL : GLASS FILLED POLYESTER BK UL94V-0.
2. CONTACT MATERIAL : PHOSPHOR BRONZE, t=0.35mm.
3. SHIELD MATERIAL : COPPER ALLOY.
4. PLATING : GOLD PLATING OVER NICKEL.
5. OPERATING LIFE : 750 CYCLES MIN.
6. PCB RETENTION PRE-SOLDER : 1 LB MIN.
7. PCB RETENTION POST-SOLDER: 10 LBS MIN.

ENVIRONMENTAL:

1. STORAGE : -40°C TO +85°C.
2. OPERATION: -40°C TO +85°C.

MATES WITH MODULAR PLUG CONFORMING TO FCC PART 68, SUBPART F.

PART NUMBER: N39AX-047-XX

- | | | |
|--------|--------|---------------------------|
| 1-3u" | 2-6u" | 01-POLYESTER. W/O EMI TAB |
| 3-15u" | 4-30u" | 02-HIGH TEMP. W/O EMI TAB |
| | | 03-POLYESTER. W/EMI TAB |
| | | 04-HIGH TEMP. W/EMI TAB |

CATEGORY 5 CHARACTERISTIC:

Frequency	Near-End Cross Talk dB, MIN.	Return Loss dB, MIN.	Attenuation dB, MAX.
1.0 MHZ	65	23	0.1
4.0 MHZ	65	23	0.1
8.0 MHZ	62	23	0.1
10.0 MHZ	60	23	0.1
16.0 MHZ	56	23	0.2
20.0 MHZ	54	23	0.2
25.0 MHZ	52	23	0.2
31.25 MHZ	50	14	0.2
62.5 MHZ	44	14	0.3
100.0 MHZ	40	14	0.4

X2		ADD NEW P/N(3)	YANG	112408
X0	0069000	NEW DESIGN	LINGER	071107
MARK	ECN-NO.	REVISION RECORD	DRAWN	DATE
UNLESS OTHERWISE SPECIFIED TOLERANCE		SCALE	CHECKED	eva
Dimension Range Tolerance		1/1	APPROVED	peter
X.X ±0.20 UNIT		mm		
X.XX ±0.15		SIZE		
X.XXX ±0.10		A3		
ANGLE ±5°		SHEET	1/1	
SEE NOTE		2x1 CAT.5 STACKED JACK ,STAMP PIN		
Tooling No.		PART NO.	REV.	
		SEE NOTE	1	
		DOC. NO.	NN390A047	