

RoHS

THIS IS A RoHS COMPLIANT COMPONENT/PRODUCT.

Notes:

Characterization Description:

1. RJ45 10/100 OR GIGA Base-Tx Transformer Jack With Transformer Impedance Resistor/High Voltage Capacitor.
2. Size Same As RJ-45 Modular Jack To Save PCB Space.
3. Reduce EMI Radiation, Improve EMI Performance.
4. Designed For Network Interface Card Application.
5. Designed To Meet IEEE 802.3u Requirement.
6. Designed For 100 Base Transmission over UTP-5 Cable.

Electrical Specifications:

1. Inductance At 100 KHz, 100 mV 8mADC Bias: 350 uH Min.
2. Leakage Inductance 0.3 uH Max. @100KHz 100mV
3. Insertion Loss: 1.1 dB Max. @ 1-100 MHz
4. Return Loss: 18dB Min. @1-30MHz
16dB Min. @ 30-60MHz
12dB Min. @ 60-80MHz
5. Cross Talk: 1-100MHz 30dB Min.
6. Common Mode Rejection: 30dB Min. @1-100MHz
7. Isolation Voltage @60Hz:1500Vrms(Input To Output) 60 Seconds

Mechanical:

1. Housing Material : POLYESTER or HIGH Temp UL94V-0
2. Contact Material : Phosphor Bronze T=0.30mm
3. Plating : Gold Plating Over Nickel.
4. Operating Life : 750 Cycles Min.

Environmental:

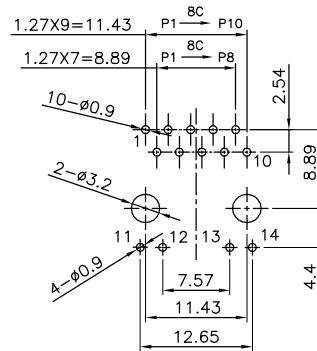
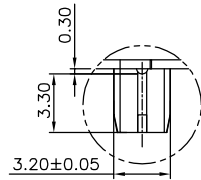
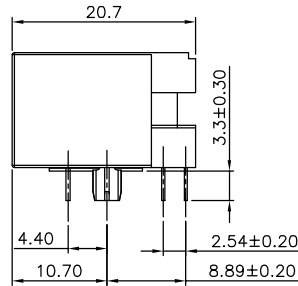
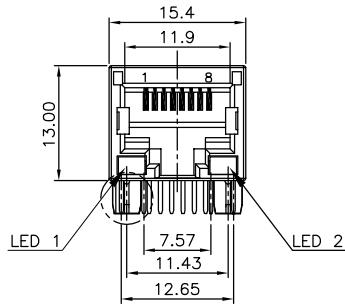
1. Storage : -40°C TO +85°C.
2. Operation : 0°C TO +70°C.

Mates With Modular Plug Conforming To TIA-1096-A

Part Number: K3T1X-024-XX

- 1-3u" 2-6u" 3-15u"
- 4-30u" 5-50u"
- 7-GOLD FLASH

- 01: HIGH TEMP BK. L1:YL L2:GR TYPE1
- 02: HIGH TEMP GY. L1:YL L2:GR TYPE1
- 03: HIGH TEMP YL. L1:YL L2:GR TYPE1
- 04: POLYESTER BK. L1:YL L2:GR TYPE2
- 05: HIGH TEMP GY. L1:YL L2:GR TYPE3
- 06: HIGH TEMP YL. L1:YL L2:GR TYPE3
- 07: HIGH TEMP BK. L1:YL L2:GR TYPE4
- 08: HIGH TEMP GREEN(369C). L1:OR/GR L2:GR TYPE4
- 09: HIGH TEMP BK. L1:OR/GR L2:GR TYPE4
- 10: HIGH TEMP BK. L1:YL L2:GR TYPE2 Operation:-40°C To +85°C.
- 11: HIGH TEMP BK. L1:YL L2:GR TYPE4 Operation:-40°C To +85°C.
- 12: HIGH TEMP BK. L1:GR L2:YL TYPE5
- 13: HIGH TEMP BK. L1:GR L2:YL TYPE4
- 14: HIGH TEMP BK. L1:GR L2:YL TYPE2
- 15: POLYESTER BK. L1:GR L2:YL TYPE2



PC Board Layout
Component Side Shown

NO	LED 1	LED 2
K3T1X-024-01		
K3T1X-024-02		
K3T1X-024-03		
K3T1X-024-04	11 → 12 YELLOW	13 → 14 GREEN
K3T1X-024-05		
K3T1X-024-06		
K3T1X-024-07		
K3T1X-024-10		
K3T1X-024-11		
K3T1X-024-08	ORANGE 11 → 12 GREEN	13 → 14 GREEN
K3T1X-024-09		
K3T1X-024-12	11 → 12 GREEN	13 → 14 YELLOW
K3T1X-024-13	11 → 12 GREEN	13 → 14 YELLOW
K3T1X-024-14		

△X0	000000	NEW DESIGN	GRACE	061014'
MARK	ECN-NO.	REVISION RECORD	DRAWN	DATE
	UNLESS OTHERWISE SPECIFIED TOLERANCE		SCALE	CHECKED
	Dimension Range Tolerance			APPROVED
	X.X	±0.20	UNIT	
	X.XX	±0.15	mm	
X.XXX	±0.10	SIZE		
Contact Technology Co., Ltd.		ANGLE	±5°	A3
Material/Plated/Notes		NAME		
SEE NOTE		RJ45 1X1 Giga Transformer Jack UTP With LED		
Tooling No.		PART NO.	SEE NOTE	REV.
		DOC. NO.	KK3T0A024	A