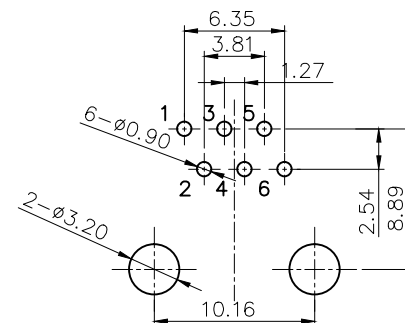
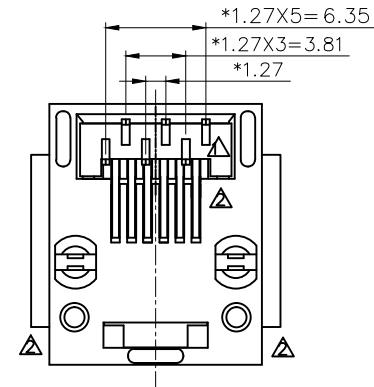
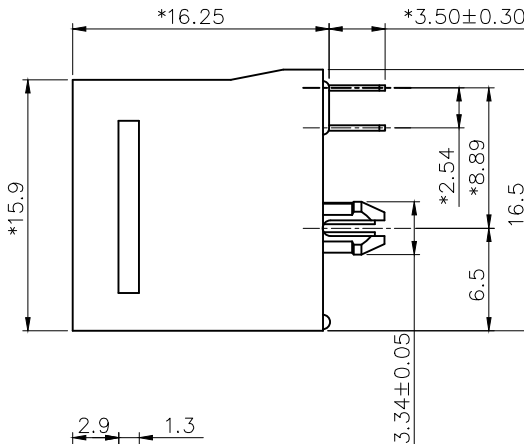
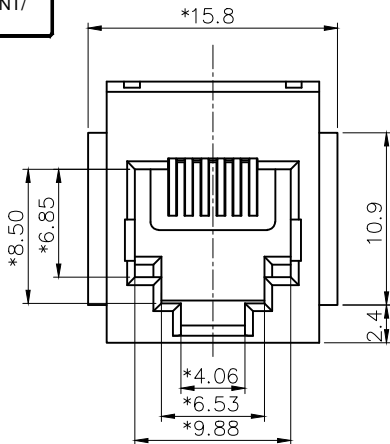


RoHS

THIS IS A RoHS COMPLIANT COMPONENT/PRODUCT.



PC Board layout
Component Side Shown

NOTES:

ELECTRICAL:

1. VOLTAGE RATING : 125 VAC RMS MIN.
2. CURRENT RATING : 1.5 AMP MIN.
3. CONTACT RESISTANCE : 30 MILLIOHMS MAX.
4. INSULATION RESISTANCE: 1000 MEGOHMS MIN @ 500 VDC.
5. DIELECTRIC STRENGTH : 750 VAC RMS 50Hz, 1MIN.

MECHANICAL:

1. HOUSING&INSERT MATERIAL : POLYESTER OR HIGH TEMP. UL94V-0.
2. CONTACT MATERIAL : PHOSPHOR BRONZE t=0.35 mm
3. PLATING : GOLD PLATING OVER NICKEL.
PLATING Au 3u"~50u" FOR "B" AREA
4. OPERATING LIFE : 1000 CYCLES MIN.
5. PCB RETENTION PRE-SOLDER : 1 LB MIN.
6. PCB RETENTION POST-SOLDER: 10 LBS MIN.

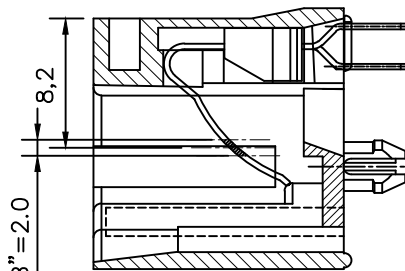
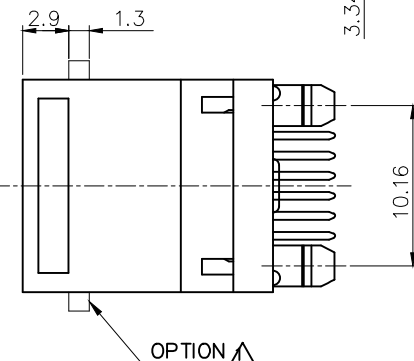
ENVIRONMENTAL:

1. STORAGE : -40°C TO +85°C.
2. OPERATION: -40°C TO +85°C.

MATES WITH MODULAR PLUG CONFORMING TO TIA-1096-A.

PART NUMBER: N311X-088-XX

- | | |
|---------------|---|
| 1- 3u" 2- 6u" | △02-6P4C HIGH TEMP W/O PANEL STOP GY. |
| 3-15u" 4-30u" | △03-6P6C POLYESTER W/ PANEL STOP BK. |
| 5-50u" | △04-6P2C POLYESTER W/O PANEL STOP GY(COOL GRAY 5C). |
| | △05-6P6C POLYESTER W/O PANEL STOP BK. |
| | △06-6P6C HIGH TEMP W/O PANEL STOP BK. |
| | △07-6P4C HIGH TEMP W/O PANEL STOP GREEN |
| | △08-6P4C HIGH TEMP W/O PANEL STOP GREEN |
| | △09-6P4C POLYESTER W/O PANEL STOP BK. |
| | △10-6P4C POLYESTER W/ PANEL STOP BK. |
| | △11-6P2C POLYESTER W/O PANEL STOP GREEN(347C) |
| | △12-6P2C POLYESTER W/O PANEL STOP GY(COOL GRAY 3U). |
| | △13-6P4C W/O PANEL STOP FR52 Purple(7441C) |



玲 跋办ボ種瓜

MARK	ECN-NO.	REVISION RECORD	DRAWN	DATE
△X1	0000000	ADD NEW P/N	DORIS	041816'
△X1	0000000	ADD NEW P/N	MORGAN	011015'
△X1	0000000	ADD NEW P/N	MORGAN	011015'
△X1	0000000	ADD NEW P/N	DORIS	091914'
△X1	0000000	ADD NEW P/N	DORIS	081414'
△X1	0000000	ADD NEW P/N	DORIS	061814'
△X1	0000000	ADD NEW P/N	DORIS	051314'
△X2	0000000	ADD NEW P/N	DORIS	032014'
△X3	0000000	ADD NEW P/N	DORIS	010214'
△X2	0000000	ADD NEW P/N	DORIS	121313'
△X0	0000000	NEW DESIGN	DORIS	111213'

	UNLESS OTHERWISE SPECIFIED TOLERANCE	SCALE	CHECKED
	Dimension Range Tolerance	3/1	
X.X	±0.20	UNIT	APPROVED
X.XX	±0.15	mm	
X.XXX	±0.10	SIZE	
ANGLE	±5°	A3	SHEET 1/1
Contact Technology Co., Ltd.		TOP ENTRY PCB JACK	
Material/Plated/Notes		NAME	
SEE NOTE		PART NO. SEE NOTE	
Tooling No.		DOC. NO. NN310A088	
		REV. 10	