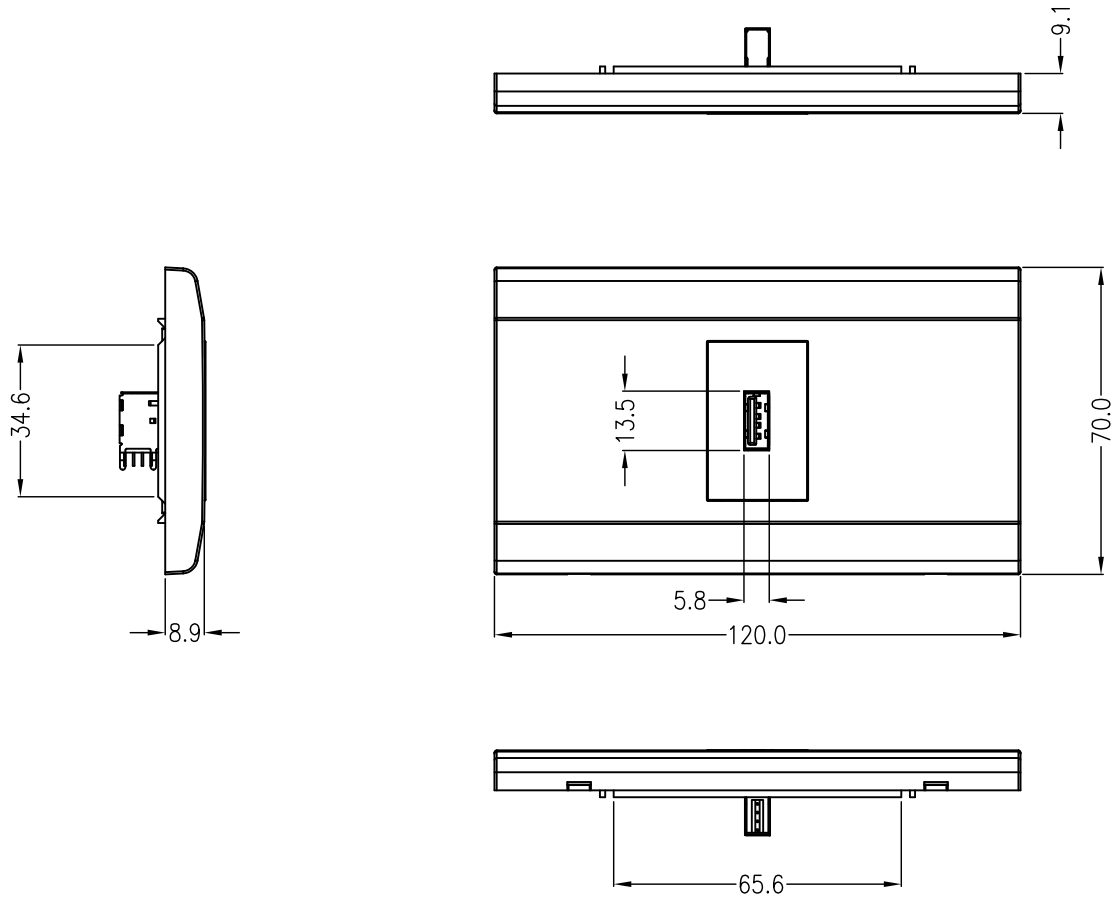


RoHS

THIS IS A RoHS
COMPLIANT
COMPONENT/
PRODUCT.



NOTES:

1. MATERIAL : ABS WHITE.
2. BURR : 0.05mm MAX.
3. PART NUMBER: N471Y-078-01

△	000000	NEW DESIGN	SELINA	072122'
MARK	ECN-NO.	REVISION RECORD	DRAWN	DATE
	UNLESS OTHERWISE SPECIFIED TOLERANCE		SCALE	CHECKED
	Dimension Range	Tolerance	1/1	
	X.X	±0.15	UNIT	APPROVED
	X.XX	±0.10	mm	
X.XXX	±0.05	SIZE	A3	SHEET 1/1
ANGLE	±1°			
Material/Plated/Notes		NAME		
SEE NOTE		WALL PLATE, USB		
Tooling No.		PART NO.	N471Y-078-01	REV. A
		DOC. NO.	NN471A078	