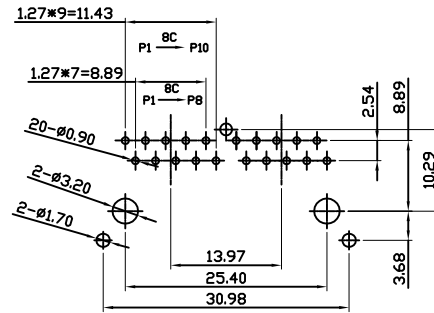
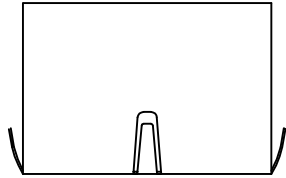
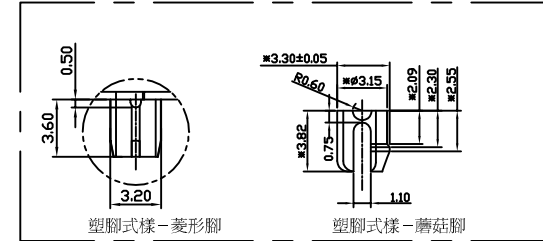


RoHS

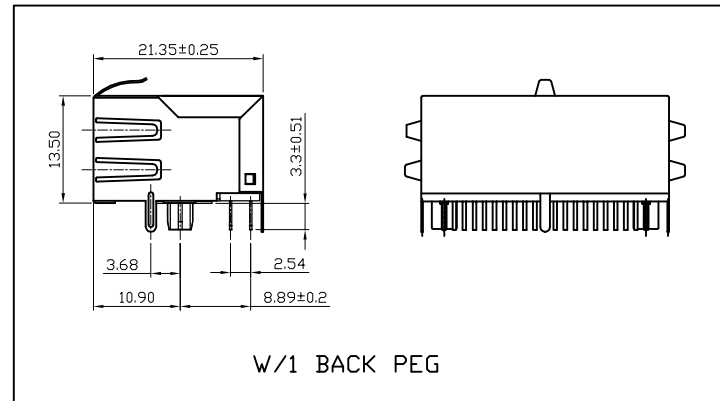
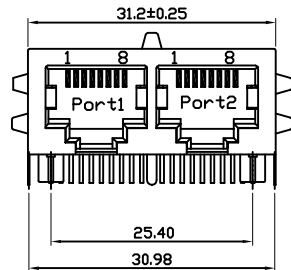
THIS IS A RoHS COMPLIANT COMPONENT/PRODUCT.



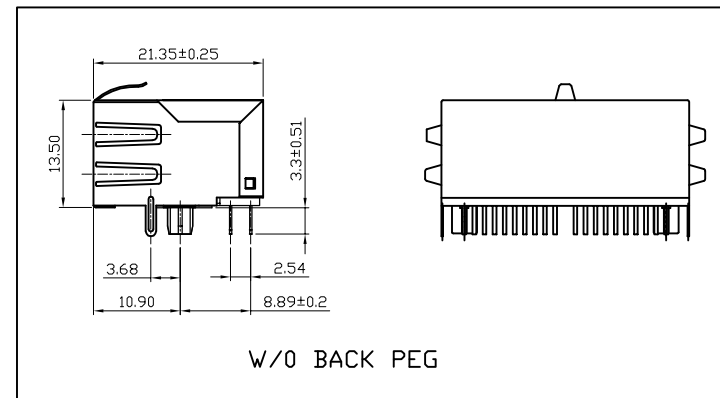
PC Board Layout t=1.6mm



DETAIL "C"
SCALE: 2:1



W/1 BACK PEG



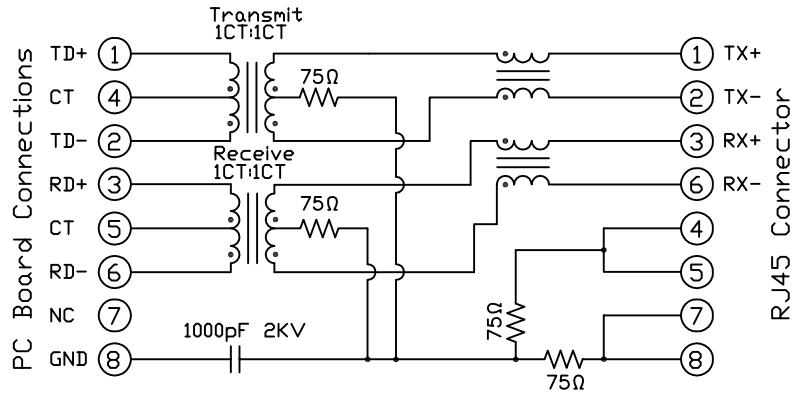
W/0 BACK PEG

MARK	000000	NEW DESIGN	GRACE	022013'
MARK	ECN-NO.	REVISION RECORD	DRAWN	DATE
 Contact Technology Co., Ltd.	UNLESS OTHERWISE SPECIFIED TOLERANCE		SCALE	CHECKED
	Dimension Range	Tolerance		
	X.X	±0.20	UNIT	APPROVED
	X.XX	±0.15	mm	
	X.XXX	±0.10	SIZE	A3
	ANGLE	±5°		SHEET 1/3
Material/Plated/Notes	NAME			
SEE NOTE	1*2 Transformer Jack			
Tooling No.	PART NO.	K3T2X-044-XX		REV.
	DOC. NO.	KK3T0A044		0

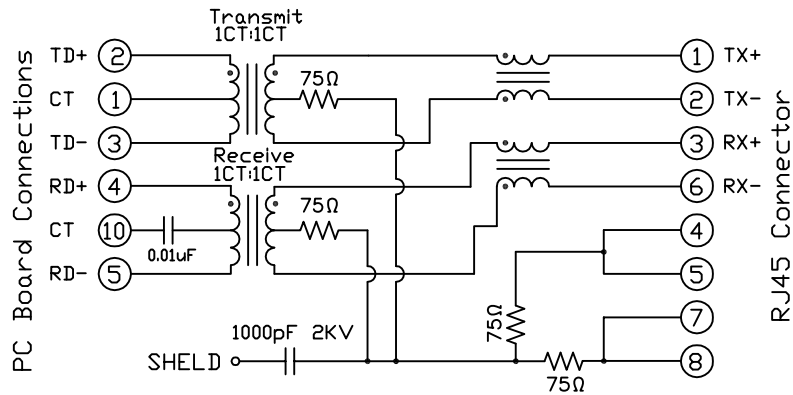
RoHS

THIS IS A RoHS
COMPLIANT
COMPONENT/
PRODUCT.

Schematic:10/100



TYPE 1



TYPE 3



TYPE 4

MARK	000000	NEW DESIGN	GRACE	022013
MARK	ECN-NO.	REVISION RECORD	DRAWN	DATE
	UNLESS OTHERWISE SPECIFIED TOLERANCE		SCALE	CHECKED
	Dimension Range	Tolerance	UNIT	APPROVED
	X.X	±0.20	mm	
	X.XX	±0.15		
X.XXX	±0.10	SIZE		
Contact Technology Co., Ltd.		ANGLE	±5°	A3
Material/Plated/Notes		NAME		
SEE NOTE		1*2 Transformer Jack		
Tooling No.		PART NO.	REV.	
		K3T2X-044-XX	0	
		DOC. NO.	KK3T0A044	

Notes:

Characteristics Description:

1. RJ45 Base-Tx Transformer Jack With Transformer Impedance Resistor/High Voltage Capacitor.
2. Size Same As RJ-45 Modular Jack To Save PCB Space.
3. Reduce EMI Radiation, Improve EMI Performance.
4. Designed For Network Interface Card Application.
5. Designed To Meet IEEE 802.3u Requirement.

Electrical Specifications:

1. Inductance At 100 KHz, 100 mV 8mADC Bias: 350 uH Min.
2. Leakage Inductance 0.3 uH Max. @100KHz 100mV
3. Insertion Loss: 1.1 dB Max. @ 1-100 MHz
4. Return Loss: 18dB Min. @1-30MHz
16dB Min. @ 30-60MHz
12dB Min. @ 60-80MHz
5. Cross Talk: 1-100MHz 30dB Min.
6. Common Mode Rejection: 30dB Min. @1-100MHz
7. Isolation Voltage @60Hz:1500Vrms(Input To Output) 60 Seconds

Mechanical:

1. Housing Material: POLYESTER OR HIGH TEMP. UL94V-0
2. Insert Material: POLYESTER OR HIGH TEMP. UL94V-0
3. Shield Material: 0.20mm THICKNESS BRASS Plating Nickel.
4. Contact Material: Phosphor Bronze t=0.35mm
5. Plating: Gold Plating Over Nickel.
6. Operating Lift: 750 Cycles Min.

Environmental:

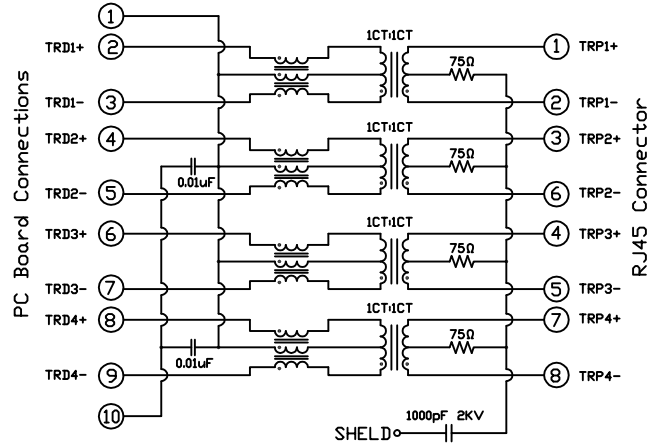
1. Storage: -40°C To +85°C.
2. Operation: -40°C To +85°C.
3. Wave Soldering Temperature: 255~265°C (5~10 Seconds) HIGH TEMP.
230~250°C (3~5 Seconds) POLYESTER

Mates With Modular Plug Conforming To TIA-1096-A

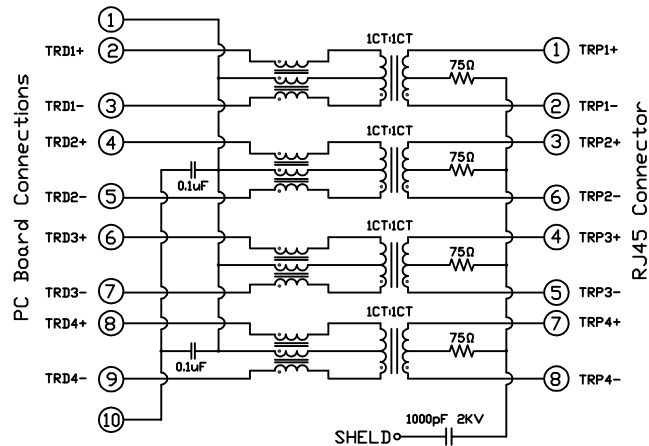
Part Number: K3T2X-044-XX

- 1-3u" 2-6u" 3-15u" 01-W/ EIM TAB W/1 BACK PEG POLYESTER.BK. TYPE1 菱形脚
- 4-30u" 5-50u" 02-W/ EIM TAB W/1 BACK PEG HIGH TEMP.BK. TYPE1 菱形脚
- 7-GOLD FLASH 03-W/ EIM TAB W/O BACK PEG HIGH TEMP.BK. TYPE2 菱形脚
Operation: 0°C To +70°C.
- 04-W/ EIM TAB W/O BACK PEG HIGH TEMP.BK. Port1:TYPE3 Port2:TYPE5 菱形脚
- 05-W/ EIM TAB W/1 BACK PEG HIGH TEMP.BK. Port1:TYPE4 Port2:TYPE2 菱形脚

Schematic:GIGA



TYPE 2



TYPE 5

MARK	000000	NEW DESIGN	GRACE	022013'
MARK	ECN-NO.	REVISION RECORD	DRAWN	DATE
	UNLESS OTHERWISE SPECIFIED TOLERANCE		SCALE	CHECKED
	Dimension Range	Tolerance	UNIT	APPROVED
	X.X	±0.20	mm	
	X.XX	±0.15		
X.XXX	±0.10	SIZE	A3	SHEET 3/3
Contact Technology Co., Ltd.		ANGLE	±5°	
Material/Plated/Notes		NAME		
SEE NOTE		1*2 Transformer Jack		
Tool/Tag No.		PART NO.	REV.	
		K3T2X-044-XX	0	
		DOC. NO.	KK3T0A044	