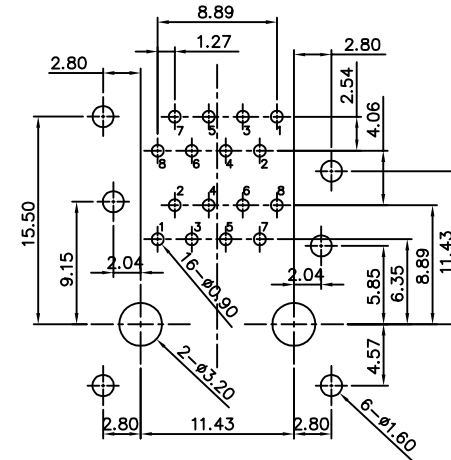
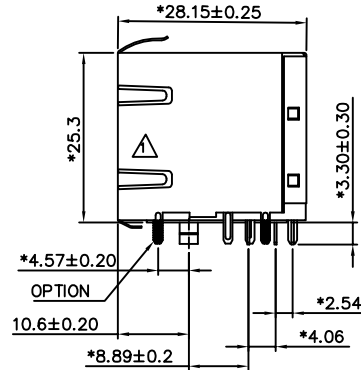
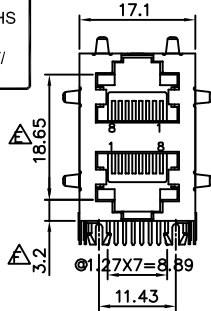


RoHS

THIS IS A RoHS COMPLIANT COMPONENT/PRODUCT.



PCB Layout Component Side Shown

NOTES:

ELECTRICAL:

- 1. VOLTAGE RATING : 125 VAC RMS.
- 2. CURRENT RATING : 1.5 AMP.
- 3. CONTACT RESISTANCE : 50 MILLIOHMS MAX.
- 4. INSULATION RESISTANCE: 1000 MEGOHMS MIN. @ 500 VDC.
- 5. DIELECTRIC STRENGTH : 1000 VAC RMS 60Hz, 1MIN.

MECHANICAL:

- 1. HOUSING MATERIAL : GLASS FILLED POLYESTER OR HIGH TEMP. UL94V-0.
- INSERT MATERIAL : GLASS FILLED POLYESTER UL94V-0.
- 2. CONTACT MATERIAL : PHOSPHOR BRONZE, t=0.35 mm.
- 3. SHIELD MATERIAL : COPPER ALLOY.
- 4. PLATING : GOLD PLATING OVER NICKEL.
- 5. OPERATING LIFE : 750 CYCLES MIN.
- 6. PCB RETENTION PRE-SOLDER : 1 LB MIN.
- 7. PCB RETENTION POST-SOLDER: 10 LBS MIN.

ENVIRONMENTAL:

- 1. STORAGE : -40°C TO +85°C.
- 2. OPERATION : -40°C TO +85°C.
- MATES WITH MODULAR PLUG CONFORMING TO TIA-1096-A.

PART NUMBER: N39AX-025-XX

- 01-POLYESTER BK. W/O EMI TAB.
- 02-HIGH TEMP. BK. W/O EMI TAB.
- 03-POLYESTER BK. W/ EMI TAB.
- 04-HIGH TEMP. BK. W/ EMI TAB.
- 05-POLYESTER BK. W/O BOTTOM EMI TAB.
- 06-POLYESTER BK. W/ EMI TAB.W/O GROUNDING
- 07-POLYESTER BK. W/O EMI TAB.W/O GROUNDING
- 08-POLYESTER BK. W/O EMI TAB. W/ PLATED TIN
- 09-POLYESTER BK. W/ EMI TAB. W/ PLATED TIN
- 10-HOUSING PBT BK. IN'S RED .W/O EMI TAB.W/ PLATED TIN
- 11-HOUSING PBT BK. IN'S RED . W/ EMI TAB.W/ PLATED TIN

- 1-3u" 2-6u"
- 3-15u" 4-30u"
- 5-50u"
- 7-GOLD FLASH

X2		ADD PART NUMBER	Joy	091421'	
X0	000000	NEW DESIGN	QUAN	110211'	
MARK	ECN-NO.	REVISION RECORD	DRAWN	DATE	
		UNLESS OTHERWISE SPECIFIED TOLERANCE	SCALE	CHECKED	
		Dimension Range Tolerance	1/1	APPROVED	
		X.X	±0.20	UNIT	
		X.XX	±0.15	mm	
Contact Technology Co., Ltd.		X.XXX	±0.10	SIZE	
Material/Plated/Notes		ANGLE	±5°	A3	
SEE NOTE		2x1 STACKED GANG JACK STAMP PIN,FTP			
Tooling No.		PART NO.	SEE NOTE		
		DOC. NO.	NN390A025		
		REV.	H		