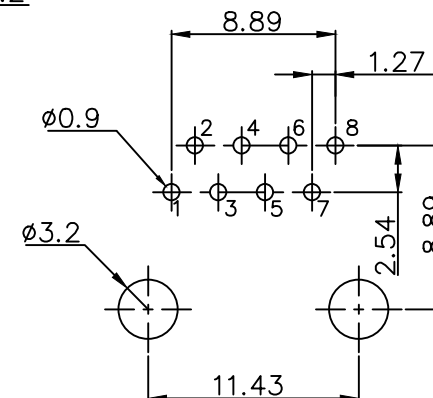
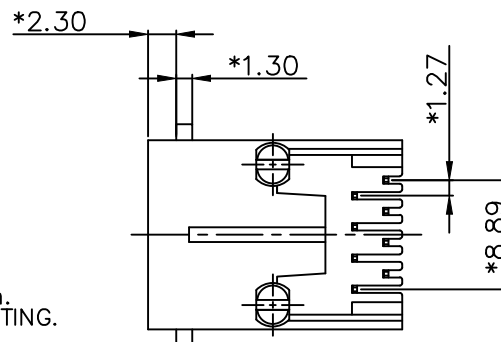
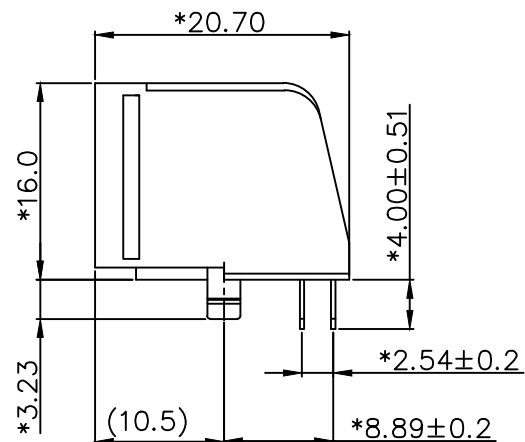
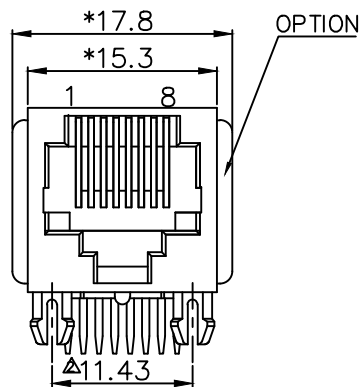


RoHS

THIS IS A RoHS COMPLIANT COMPONENT/PRODUCT.



PC Board Layout
Component Side Shown
PC Board FOR T=1.60mm

NOTES:

ELECTRICAL:

1. VOLTAGE RATING: 125 VAC.
2. CURRENT RATING: 1.5 AMP.
3. CONTACT RESISTANCE: 50 MILLIOHMS MAX. Δ
4. INSULATION RESISTANCE: 1000 MEGOHMS MIN @ 500 VDC.
5. DIELECTRIC STRENGTH: 1000 VAC 60Hz, 1MIN.

MECHANICAL:

1. HOUSING MATERIAL: GLASS FILLED POLYESTER HIGH TEMP. UL94V-0
2. CONTACT MATERIAL: PHOSPHOR BRONZE t=0.35mm.
3. PLATING: 1: CONTACT AREA- SELECTIVE GOLD PLATING.
2: TAILS- TIN PLATING OVER NICKEL.
4. OPERATING LIFE: 750 CYCLES MIN.
5. PCB RETENTION PRE-SOLDER: 1 LB MIN.
6. PCB RETENTION POST-SOLDER: 10 LBS MIN.

ENVIRONMENTAL:

1. STORAGE: -40°C TO +85°C.
- Δ 2. OPERATION: -40°C TO +85°C.

MATES WITH MODULAR PLUG CONFORMING TO FCC PART 68, SUBPART F.

PART NUMBER: N371X-012-XX

- 1- 3u" 2- 6u"
- 3- 15u" 4- 30u"
- 5- 50u"

- 01-W/PANEL STOP POLYESTER
- 02-W/O PANEL STOP POLYESTER
- 03-W/PANEL STOP HIGH TEMP.
- 04-W/O PANEL STOP HIGH TEMP.
- Δ05-W/O PANEL STOP LCP BK.

ΔX1		ADD NEW P/N	Linda	030923
ΔX1		UODATE DRAWING(1)	YANG	052809
ΔX2		UODATE DRAWING(1)	YANG	011209
ΔX0	0000000	NEW DESIGN	SAIL	030108
MARK	ECN-NO.	REVISION RECORD	DRAWN	DATE

<p>Contact Technology Co., Ltd.</p>	UNLESS OTHERWISE SPECIFIED TOLERANCE		SCALE	CHECKED
	Dimension Range	Tolerance	1:1	APPROVED
	X.X	±0.20	UNIT	
	X.XX	±0.15	mm	
X.XXX	±0.10	SIZE	A3	SHEET 1/1
ANGLE	±5°			
Material/Plated/Notes	NAME			
SEE NOTE	SIDE ENTRY PCB JACK 8P8C			
Tooling No.	PART NO.	SEE NOTE	REV.	3
	DOC. NO.	NN370A012		